

FEATURES & SPECIFICATIONS

INTENDED USE — High performance parabolic luminaires for use in open area applications and electronic offices where optical control, visual comfort and light cut-off are important.

Design optimized for use with T8 lamps and low-profile electronic ballasts.

Choice of diffuse or specular louvers utilizing the latest developments in louver finishing for minimized louver iridescence.

CONSTRUCTION — Black reveal provides floating louver appearance, conceals optional air-supply slots. Square corner end plates improve strength and durability.

Integral T-bar safety clips hold fixture to T-bar securely; no fasteners required.

Heavy-gauge hinges die-formed for maximum strength; spring action latches concealed in black reveal.

Housing formed from cold-rolled steel. Louver formed from anodized aluminum. No asbestos used in this product.

Overlapping flange and modular ceiling trims available factory installed with swing gate hangers or field convertible with optional trim and hangers.

Finish: Five-stage iron-phosphate pretreatment ensures superior paint adhesion. Painted parts finished with high-gloss, baked white enamel.

ELECTRICAL — Thermally protected, resetting, Class P, HPF, non-PCB, UL Listed, CSA certified ballast is standard.

Electronic ballasts are sound rated A.

Ballast disconnect provided standard where required to comply with US and Canadian electrical codes.

Fixture conforms to UL1570 and is suitable for damp locations. AWM, TFN or THHN wire used throughout, rated for required temperatures.

LISTING — UL Listed (Standard), CSA Certified or NOM Certified (see Options).

WARRANTY — 1-year limited warranty. Complete warranty terms located at www.acuitybrands.com/CustomerResources/Terms_and_conditions.aspx

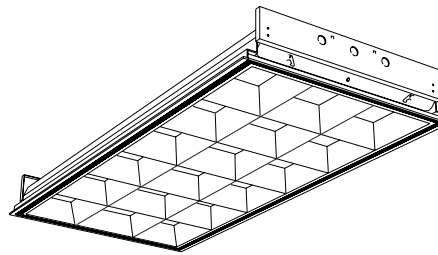
Note: Specifications subject to change without notice.

Catalog Number
Notes
Type

PARAMAX® Parabolic Troffer

2PM3N 2'x4'

3" Louver Family



Specifications

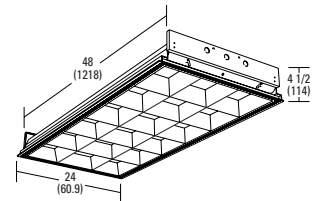
Length: 48 (121.8)

Width: 24 (60.9)

Depth: 4-1/2 (11.4)

Weight: 32 lbs (14.5 kg)

All dimensions are inches (centimeters).



ORDERING INFORMATION

For shortest lead times, configure products using **bolded options**.

Example: 2PM3N G B 3 32 18LD MVOLT 1/3 GEB10IS

2PM3N					32			
Series	Trim type	Air function	Number of lamps	Lamp type	Number of cells ¹	Louver finish	Voltage	
2PM3N Paramax 3" louver family	G Grid	B No air function	2	32 32W T8 (48")	12	LD Low iridescent anodized diffuse silver	MVOLT ² 120 277 347 (Others available)	
	F Overlapping flange	A Air supply/return (slots in side trim)	3		18			
	ST Screw slot	D Dual function supply/return/removal	4		32	LS Low iridescent anodized specular silver		
			(Not included)		16			
					24			

Options³

(blank)	Two ballasts (three- and four-lamp only)	PWS1836	6' prewire, 3/8" dia., 18-gauge, 3 wires	ACS	Air closure strips (A and D models only)
1/3	One 3-lamp ballast	PWS1846	6' prewire, 3/8" dia., 18-gauge, 4 wires	APB	Air-pattern control blades (A and D models only)
1/4	One 4-lamp ballast	QFC313_	Reloc Quick-Flex 12/3G, 13' ^{4,5}	PAF	Painted after fabrication (white enamel)
GEB10IS	Electronic ballast, ≤10% THD, instant start	LST	Tandem fixture pairs (shared ballasts)	2R	Two reflector channel covers ⁶
GEB10PS	Electronic ballast, <10% THD, programmed start	LP__	Lamped, specify lamp type and color	JP	Palletized and stretch-wrapped (G trim only)
GEB10RS	Electronic ballast, ≤10% THD, rapid start	LP735	Lamped, 700-series, 3500K	CSA	CSA Certified
EL	Emergency battery pack (nominal 300 lumens)	GLR	Internal fast-blow fuse ⁵	NOM	NOM Certified
EL14	Emergency battery pack (nominal 1400 lumens)	GMF	Internal slow-blow fuse ⁵		

Notes

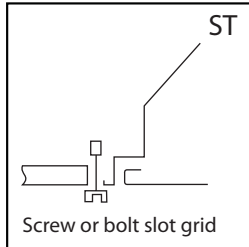
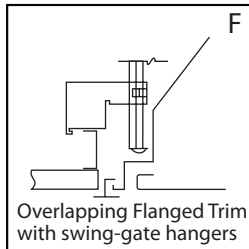
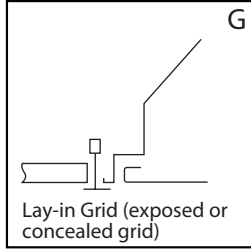
- Standard louver configuration:
2 lamps = 12 cells, diffuse silver
3 lamps = 18 cells, diffuse silver
4 lamps = 32 cells, diffuse silver
- MVOLT standard for 120V and 277V applications. Some options require voltage specified.
- Some options increase fixture depth. Consult factory if plenum space is a concern.
- Must specify circuit wiring. Refer to www.lithonia.com/Reloc for additional information.
- Must specify voltage.
- Available with 3-lamp 18 or 24 cell only.

2PM3N 2'x4' 3" Louver Family

MOUNTING DATA

Continuous row mounting of flanged units requires CRE and CRM trim options. Consult factory.

Mounting Information - Trim Types	
Ceiling type	Appropriate trim type
Exposed grid tee	G
Concealed grid tee	G,ST
Concealed Z-spline	F
Screw slot (consult factory)	ST
Acoustical tile, plaster or plasterboard on rigid support parallel to lamps	F

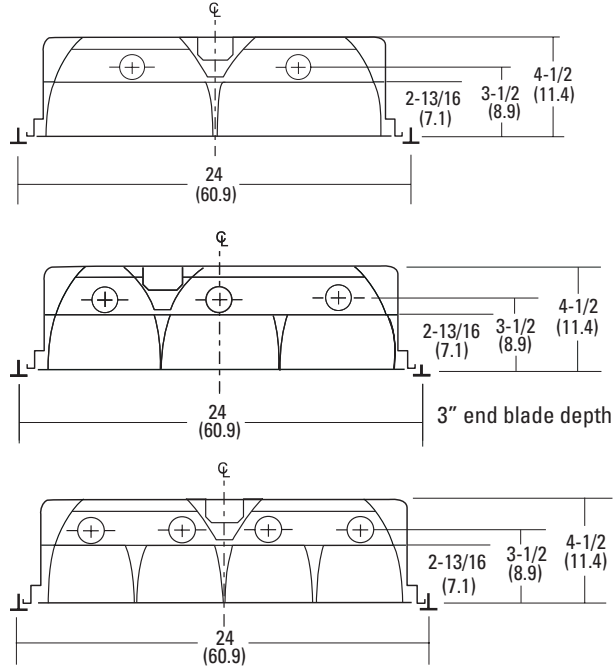


Notes

- 1 Recommended rough-in dimensions for F trim fixtures 24"x48". (Tolerance is +1/4", -0"). Swing-gate range 1-7/16" to 3-7/16", span 23-1/2" to 26-7/16".

DIMENSIONS

All dimensions are inches (centimeters) unless specified otherwise.



ENERGY DATA

Energy Data (Calculated in accordance with NEMA Standards LE-5)					
LER.FP	Annual energy cost*	Lamp description	Lamp lumens	Ballast factor	Watts
65 (LD louver)	\$3.69	(2) 32W T8	2,850	0.88	59
66 (LD louver)	\$3.64	(3) 32W T8	2,850	0.88	85
59 (LD louver)	\$4.07	(4) 32W T8	2,850	0.88	112

*Comparative yearly lighting energy cost per 1000 lumens

PHOTOMETRICS

Calculated using the zonal cavity method in accordance with IESNA LM41 procedures. Floor reflectances are 20%. Lamp configurations shown are typical. Full photometric data on these and other configurations available upon request.

TEST NO: LTL14496
2PM3N 2 32 12LD
LUMENS PER LAMP: 2850
LAMPS PER LUMINAIRE: 2

TEST NO: LTL14671
2PM3N 3 32 18LD
LUMENS PER LAMP: 2850
LAMPS PER LUMINAIRE: 3

TEST NO: LTL14541
2PM3N 4 32 32LD
LUMENS PER LAMP: 2850
LAMPS PER LUMINAIRE: 4

FCR	Coefficients of Utilization													
	pc	80%			20%			70%			50%			
		pw	50%	30%	10%	50%	30%	10%	50%	30%	10%	50%	30%	10%
0	91	91	91	89	89	89	85	85	85					
1	82	79	76	80	77	75	77	75	73					
2	72	67	63	71	66	63	68	64	61					
3	64	58	53	62	57	53	60	56	52					
4	56	50	45	55	49	45	53	48	44					
5	50	44	39	49	43	38	48	42	38					
6	45	38	34	44	38	33	43	37	33					
7	41	34	29	40	34	29	39	33	29					
8	37	31	26	36	30	26	35	30	26					
9	34	28	23	33	27	23	32	27	23					
10	31	25	21	31	25	21	30	25	21					

FCR	Coefficients of Utilization													
	pc	80%			20%			70%			50%			
		pw	50%	30%	10%	50%	30%	10%	50%	30%	10%	50%	30%	10%
0	89	89	89	87	87	87	83	83	83					
1	80	78	75	79	76	74	76	74	72					
2	71	67	63	70	66	63	67	64	61					
3	64	58	54	62	57	53	60	56	53					
4	57	51	46	56	50	46	54	49	45					
5	51	45	40	50	44	40	49	44	40					
6	46	40	35	45	39	35	44	39	35					
7	42	36	31	41	35	31	40	35	31					
8	38	32	28	38	32	28	37	31	28					
9	35	29	25	34	29	25	34	28	25					
10	32	26	23	32	26	23	31	26	22					

FCR	Coefficients of Utilization													
	pc	80%			20%			70%			50%			
		pw	50%	30%	10%	50%	30%	10%	50%	30%	10%	50%	30%	10%
0	79	79	79	77	77	77	74	74	74					
1	71	69	67	70	68	66	67	65	64					
2	64	60	57	63	59	56	60	57	55					
3	57	53	49	56	52	48	54	51	48					
4	51	46	42	50	46	42	49	45	42					
5	46	41	37	46	41	37	44	40	37					
6	42	37	33	41	36	33	40	36	32					
7	38	33	29	38	33	29	37	32	29					
8	35	30	26	35	30	26	34	29	26					
9	32	27	24	32	27	24	31	27	23					
10	30	25	22	29	25	21	29	24	21					

Zonal Lumen Summary			
Zone	Lumens	% Lamp	% Fixture
0° - 30°	1177.9	20.7	26.9
0° - 40°	2015.8	35.4	46.1
0° - 60°	3919.0	68.8	89.6
0° - 90°	4372.0	76.7	100.0
90° - 180°	0.0	0.0	0.0
0° - 180°	4372.0	76.7	100.0

Zonal Lumen Summary			
Zone	Lumens	% Lamp	% Fixture
0° - 30°	1982.1	23.2	30.9
0° - 40°	3413.2	39.9	53.1
0° - 60°	5866.8	68.6	91.4
0° - 90°	6422.1	75.1	100.0
90° - 180°	0.0	0.0	0.0
0° - 180°	6422.1	75.1	100.0

Zonal Lumen Summary			
Zone	Lumens	% Lamp	% Fixture
0° - 30°	2650.0	23.2	35.1
0° - 40°	4348.4	38.1	57.6
0° - 60°	7076.5	62.1	93.7
0° - 90°	7551.8	66.2	100.0
90° - 180°	0.0	0.0	0.0
0° - 180°	7551.8	66.2	100.0