



Gotham Architectural Downlighting  
Compact Fluorescent Downlights

**6" AF**  
**Open Reflector**

Horizontal Lamp  
Triple-Tube

FEATURES

**OPTICAL SYSTEM**

- Self-flanged, semi-specular or matte-diffuse reflector. Patented Bounding Ray™ Optical Principle design (U.S. Patent No. 5,800,050). Minimum flange matches reflector finish.
- Baffle/Cone: Semi-specular clear upper reflector. Microgroove baffle with white painted flange or specular black cone with flange that matches cone finish.

**MECHANICAL SYSTEM**

- 16-gauge galvanized steel construction; maximum 7/8" ceiling thickness.
- Telescopic mounting bars maximum of 32" and minimum of 15", preinstalled, 4" vertical adjustment.
- Toolless post-installation adjustments.
- Junction box capacity: 8 (4 in, 4 out) 12AWG rated for 90°C.

**ELECTRICAL SYSTEM**

- Horizontally mounted, positive-latch, thermoplastic socket.
- Class P, thermally protected, high-power-factor electronic ballast mounted to the junction box.
- SIMPLY5™ technology available.

**LISTING**

- Fixtures are UL Listed for thru-branch wiring, non-IC recessed mounting and damp locations. Listed and labeled to comply with Canadian standards.

**WARRANTY**

- 1-year limited warranty. Complete warranty terms located at [www.acuitybrands.com/CustomerResources/Terms\\_and\\_conditions.aspx](http://www.acuitybrands.com/CustomerResources/Terms_and_conditions.aspx)

ORDERING INFORMATION

**EXAMPLE: AF 1/26TRT 6AR MVOLT**

Series	Wattage/Lamp	Aperture/Trim color	Finish	Lens type	Voltage	Ballast <sup>3</sup>
AF	1/13TRT	6AR Clear	(blank) Semi-specular	(blank) No lens	MVOLT <sup>2</sup>	(blank) Electronic ballast
	1/18TRT	6PR Pewter	LD Matte-diffuse	CGL Clear glass lens	120	ECOS <sup>2,4</sup> Lutron® EcoSystem® electronic dimming ballast. Minimum dimming level 5%
	1/26TRT	6WTR Wheat		PCL Clear polycarbonate lens	277	ADEZ <sup>4,5</sup> Advance Mark 10® electronic dimming ballast. Minimum dimming level 5%
	1/32TRT	6WR <sup>1</sup> White painted		T73 Tempered prismatic lens	347	ADZT <sup>2</sup> Advance Mark 7® electronic dimming ballast. Minimum dimming level 5%
	1/42TRT	6MB <sup>1</sup> Black baffle		PPC Prismatic polycarbonate lens		
		6WB <sup>1</sup> White baffle		FOL Flat opal lens		
		6BC <sup>1</sup> Black cone				

Options

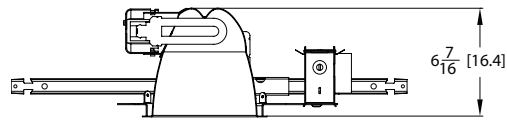
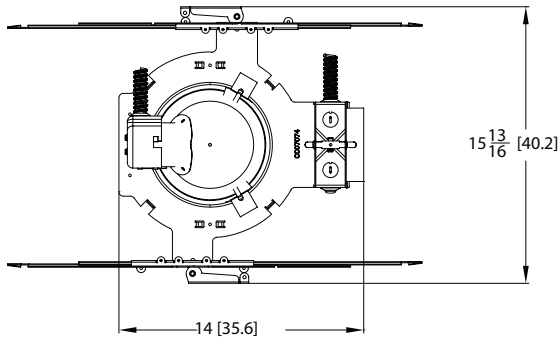
EL <sup>6</sup>	Emergency battery pack with integral test switch	RRL <sup>7</sup>	RELOC®-ready luminaire. Provides compatibility with Lithonia RELOC system. Access above ceiling required.
ELR <sup>6</sup>	Emergency battery pack with remote test switch	CP <sup>8</sup>	Chicago plenum
ELHL <sup>6</sup>	High-lumen-output emergency battery pack with integral test switch	BDP <sup>8,9</sup>	Ballast disconnect plug
ELRHL <sup>6</sup>	High-lumen-output emergency battery pack with remote test switch	HW	Hardwire for S5 system; replaces RELOC®
GMF <sup>5</sup>	Single, slow-blow fuse	NEPP	Interface for Sensor Switch® nLight® network with integral power supply. Refer to TN-623-01.
GLR <sup>5</sup>	Single, fast-blow fuse	WL	Wet location; lens required
TRW	White painted flange (standard on MB and WB)	WRL <sup>10</sup>	Wattage restriction label
TRBL	Black painted flange	TWS	Twist lock socket
WLP	With 3500 K lamp (shipped separately)	CTAG <sup>11</sup>	Ceiling thickness adaptor (2-1/8" max thickness)

ACCESSORIES order as separate catalog numbers (shipped separately)

**SCA6** Sloped ceiling adaptor. Degree of slope must be specified (10D, 15D, 20D, 25D, 30D). Ex: SCA6 10D.

DIMENSIONAL DATA

All dimensions are inches (centimeters) unless otherwise noted.



Aperture: 6-1/4 (15.9)  
 Ceiling Opening: 7-1/8 (18.1)  
 Overlap Trim: 7-1/2 (19.1)  
 Lens Recess: 2.0 (5.1)

**DIMENSIONAL NOTES**

- Fixture height for 1/42TRT is 6-3/4 (17.1).

ELECTRICAL

**ENERGY (Calculated in accordance with NEMA standard LE-5A)**

LER.DOL	Annual* Energy Cost	Lamps	Lamp Lumens	Ballast Factor	Input Watts
35	\$6.90	(1) 18W DTT	1200	1.00	20
40	\$5.96	(1) 26W DTT	1800	1.00	28
36	\$6.75	(2) 32W TRT	2400	0.98	36
39	\$6.11	(2) 42W TRT	3200	1.00	46

\*Comparative yearly lighting energy cost per 1000 lumens

NOTES

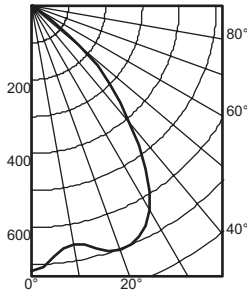
**ORDERING NOTES**

1. Not available with finishes.
2. Multi-volt electronic ballast capable of operating on any voltage from 120V through 277V, 50 or 60 Hz.
3. For additional ballast types, refer to [TECH-250](#).
4. Not available with 13W.
5. Available in 120V or 277V only.
6. For dimensional changes, refer to [TECH-140](#).
7. For compatible RELOC systems, refer to [TECH-110](#).
8. Not available with emergency options.
9. Meets codes that require in-fixture disconnect.
10. Must specify wattage. Ex.: WRL32
11. Not available with 42W.

Distribution Curve    Distribution Data    Output Data    Coefficient of Utilization    Illuminance: Single Luminaire 30" Above Floor

**AF 1/26TRT 6AR**

(1) CF26TRT, 1800 LUMENS PER LAMP, 1.3 S/MH, TEST NO. LTL20419

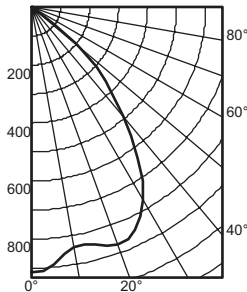


Ave Lumens	Zone Lumens % Lamp	pf pc pw	80%		20% 70%		50%							
			50%	30%	10%	50%	30%	10%	50%	30%	10%			
0	719	0° - 30°	572.2	31.8	0	79	79	77	77	77	74	74	74	
5	681	0° - 40°	904.5	50.2	1	73	71	69	71	69	68	68	67	66
15	678	0° - 60°	1184.1	65.8	2	66	63	61	65	62	60	63	61	59
25	690	0° - 90°	1195.2	66.4	3	61	57	54	60	56	53	58	55	52
35	539	90° - 180°	0.0	0.0	4	56	51	48	55	51	48	53	50	47
45	302	0° - 180°	1195.2	*66.4	5	51	46	43	50	46	43	49	45	42
55	39			*Efficiency	6	47	42	39	46	42	39	45	41	38
65	7				7	43	38	35	43	38	35	42	38	35
75	3				8	40	35	32	40	35	32	39	35	32
85	1				9	37	32	29	37	32	29	36	32	29
90	0				10	34	30	27	34	30	27	34	30	27

Mounting Height	Initial FC Center		50% beam - 64.8°		10% beam - 95.4°	
	Beam	Diameter	FC	Diameter	FC	Diameter
8.0	23.8	7.0	11.9	12.1	2.4	
10.0	12.8	9.5	6.4	16.5	1.3	
12.0	8.0	12.0	4.0	20.9	0.8	
14.0	5.4	14.6	2.7	25.3	0.5	
16.0	3.9	17.1	2.0	29.7	0.4	

**AF 1/32TRT 6AR**

(1) CF32TRT, 2400 LUMENS PER LAMP, 1.2 S/MH, TEST NO. LTL20325

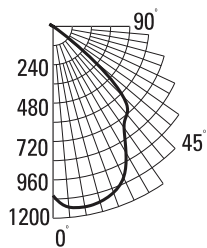


Ave Lumens	Zone Lumens % Lamp	pf pc pw	80%		20% 70%		50%							
			50%	30%	10%	50%	30%	10%	50%	30%	10%			
0	916	0° - 30°	710.6	29.6	0	72	72	72	70	70	70	67	67	67
5	888	0° - 40°	1105.4	46.1	1	66	64	63	65	63	62	62	61	60
15	846	0° - 60°	1439.2	60.0	2	61	58	55	59	57	55	57	55	53
25	847	0° - 90°	1452.0	60.5	3	55	52	49	55	51	49	53	50	48
35	637	90° - 180°	0.0	0.0	4	51	47	44	50	46	44	49	45	43
45	362	0° - 180°	1452.0	*60.5	5	47	42	39	46	42	39	45	41	39
55	45			*Efficiency	6	43	39	36	42	38	35	41	38	35
65	9				7	40	35	32	39	35	32	38	35	32
75	3				8	37	32	29	36	32	29	36	32	29
85	1				9	34	30	27	34	30	27	33	29	27
90	0				10	32	28	25	31	27	25	31	27	25

Mounting Height	Initial FC Center		50% beam - 62.8°		10% beam - 95.2°	
	Beam	Diameter	FC	Diameter	FC	Diameter
8.0	30.3	6.7	15.1	12.0	3.0	
10.0	16.3	9.2	8.1	16.4	1.6	
12.0	10.1	11.6	5.1	20.8	1.0	
14.0	6.9	14.1	3.5	25.2	0.7	
16.0	5.0	16.5	2.5	29.6	0.5	

**AF 1/42TRT 6AR**

(1) CF42DT/E/IN/835, 3200 LUMENS PER LAMP, 1.3 S/MH, TEST NO. LTL9521



From 0°	cp.	Lumens	Zone Lumens %lamp	pf pc pw	80%		20% 70%		50%	
					50%	30%	50%	30%	50%	30%
0°	1058		0°-30° 916.8 28.6							
5°	1135	107	0°-40° 1390.1 43.4	1	62	60	61	59	58	57
15°	1136	323	0°-60° 1805.1 56.4	2	57	54	56	53	54	52
25°	1043	487	0°-90° 1808.4 56.5	3	52	49	51	48	50	47
35°	774	473	90°-180° 0.0 0.0	4	48	44	47	44	46	43
45°	622	374	0°-180° 1808.4 56.5*	5	44	40	43	40	42	39
55°	26	41	*Efficiency	6	41	37	40	36	39	36
65°	2	2		7	38	34	37	33	36	33
75°	1	1		8	35	31	34	31	34	30
85°	0	0		9	32	28	32	28	31	28
90°	0	0		10	30	26	30	26	29	26

Mount height	Initial fc at beam center	50% beam angle 62.5°		10% beam angle 94.2°	
		Beam diameter	fc at beam edge	Beam diameter	fc at beam edge
8'	35.0	6.7	17.5	11.8	3.5
10'	18.8	9.1	9.4	16.1	1.9
12'	11.7	11.5	5.9	20.4	1.2
14'	8.0	14.0	4.0	24.7	0.8
16'	5.8	16.4	2.9	29.0	0.6

PHOTOMETRY NOTES

- Tested to current IES and NEMA standards under stabilized laboratory conditions.
- Actual performance may differ as a result of end-user environment and application.
- Consult factory or IES file for microgroove baffle, black cone or other photometric reports.