

FEATURES & SPECIFICATIONS

PRODUCT OVERVIEW

Temporary work light for residential or commercial applications. Portable unit uses one 500W quartz lamp; tripod unit uses two 500W quartz lamps.

CONSTRUCTION

Rugged, die-cast aluminum housing is ribbed for maximum heat dissipation. Die-cast aluminum door frame. Tempered glass lens.

FEATURES

Protective wire guard. Adjustable stand for tripod configuration. 5' cord set with grounded plug for portable unit; 7' for tripod unit. Padded, insulated handlebar. Lamp(s) included. Yellow finish.

LISTING

UL Listed (standard). CSA Certified (see Options). UL listed for wet locations.

WARRANTY

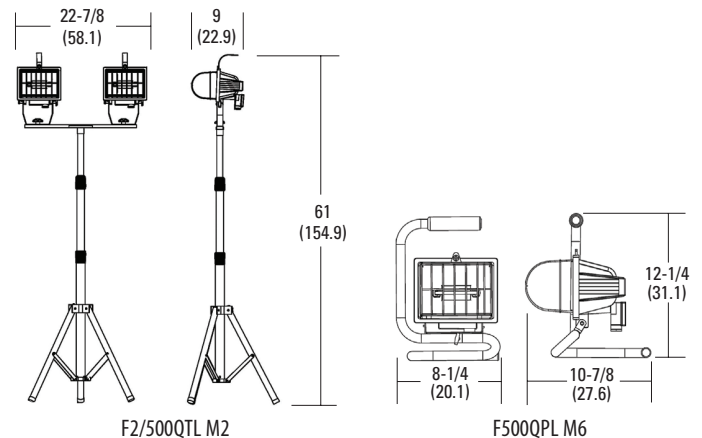
Fixtures are covered by Lithonia Lighting 24-month warranty against mechanical defects in manufacture.

Note: Specifications subject to change without notice.

Catalog Number
Notes
Type

Contractor Select

Work Lights



Dimensions are inches (centimeters).

ORDERING INFORMATION

Catalog Number	UPC	Description	Wattage	Lamp Source	Voltage	Lamps Included	Approx. Weight (lbs)	Pallet Qty	Standard Carton Qty
F500QPL M6	745973817865	Portable worklight	500	Quartz	120	Y	4	144	6
F2/500QTL M2	745973817858	Tripod stand worklight	2x500	Quartz	120	Y	11	36	2