



FEATURES

CONSTRUCTION

18-gauge steel housing finished in instrument tan color.
 Hinged faceplate for easy maintenance.
 Metal lamp heads with two 12-watt tungsten halogen, glass sealed-beam PAR36 lamps.
 Dual-voltage input capability (120 or 277 volts)

BATTERY

Maintenance-free lead-calcium battery provides 24 watts (ELT24C) or 36 watts (ELT36C) rated capacity for two hours.

24-hour battery recharge after 90-minute discharge.

Test switch and dual function ready/charge light (green) permit check of system operation.

Low-voltage disconnect prevents excessively deep discharge that can permanently damage the battery.

Slip-on battery terminals.

ELECTRONICS

Current-limiting charger maximizes battery life and minimizes energy consumption. Provides low operating costs.

Yellow AC "on" light.

CODES

UL listed. Meets UL 924, NFPA 101-1988 (current Life Safety Code), NEC and OSHA illumination standards. ELT24C and ELT36C are approved for use in the city of Chicago (9717-E).

WARRANTY

Three-year warranty.

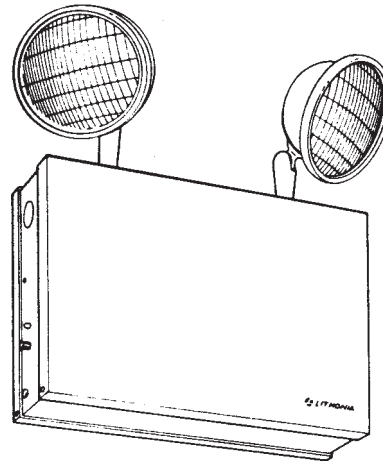
Catalog Number	
Notes	Type

TITAN[®]

Industrial Steel Emergency Lighting

ELT24C/ ELT36C

LEAD-CALCIUM BATTERY



ORDERING INFORMATION

Lead times will vary depending on options selected. Consult with your sales representative.

Example: ELT24C LD

Family	Options
ELT24C	AM Ammeter
ELT36C	VM Voltmeter
	CS 3-foot cordset - 120V only
	RO Less lamp heads
	H 8W halogen lamps
	LD Load disconnect switch

Accessories

Order as separate items.

ELA WG2 Wire guard
 ELA MST5 Mounting shelf

ELT24C/ELT36C Industrial Steel Emergency Lighting

SPECIFICATIONS

ELECTRICAL

Primary Circuit

Type	AC Input		Output Volts	Watts Output*				
	Volts	Amps		1-1/2hr.	2hr.	3hrs.	4hrs.	
ELT24C	120	.167	20	6	24	24	16	12
	277	.072						
ELT36C	120	.167	20	6	36	36	24	18
	277	.072						

* Watts to 87-1/2% of nominal wattage.

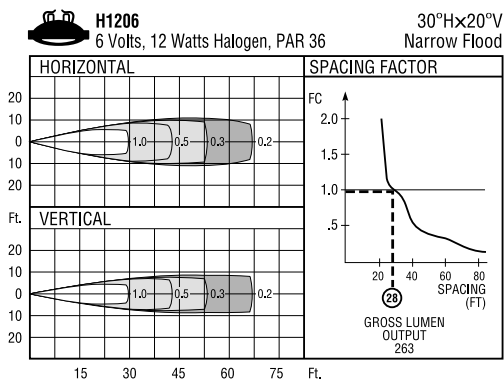
BATTERY

Sealed Lead-Calcium

	Voltage	Shelf life ¹	Expected life ¹	Maintenance ²	Optimum temperature ³
ELT24C	6	6 mos.	5-8 yrs.	none	60°-90°F

- At 77°C.
- Periodic system status test recommended.
- Optimum ambient temperature range where unit will provide rated capacity for 90 minutes. Higher and lower temperatures affect life and capacity. Consult factory for more details.

LAMP SPECIFICATIONS



REPLACEMENT LAMP #H7553

Spacing Factor:
Indicates the proper spacing between lamps to the chosen illuminance level (fc) ± 20%.

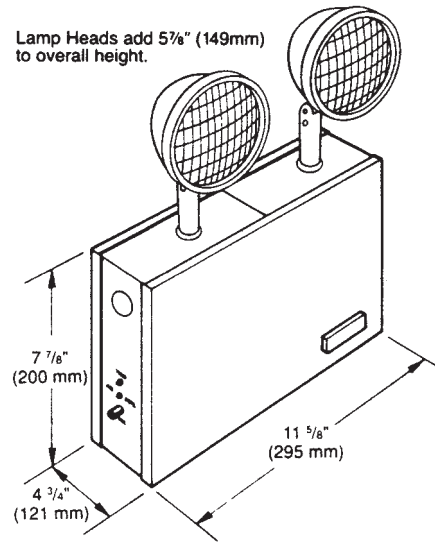
Footcandle Curves:
Show distances in feet and isocurves in footcandles.

MOUNTING

All dimensions are inches (millimeters).

Shipping weight: ELT24C - 12.5 lbs. (5.7 kgs.)

ELT36C - 17.0 lbs. (7.7 kgs.)



Housing Back

