

Industrial Control Transformers for Harsh Environments

Designed for Control Panels where Internal Installation of Control Transformers is prohibited.

Some specifications require installation of large control transformers, usually 1000 to 5000 VA outside the control cabinet. This means the transformer must be in a sheet metal enclosure instead of the usual open core and coil construction method.

Acme meets this need by providing all of the power, protection, regulation and performance of our standard industrial control transformers in one UL -3R enclosure. These transformers are wound with copper magnet wire, deliver full nameplate capacity, and provide the high regulation required in control applications.

Voltage combinations available are: 240 x 480V primary, 120V secondary and 240/480/600V primary, 120/100V secondary. Ratings available are 1000, 2000, 3000 and 5000 VA. All units are UL listed, CSA certified, and covered by Acme's exclusive 10-year limited warranty.

FEATURES

- Fully encapsulated and enclosed.
- 55°C temperature rise, 155°C insulation.
- Copper windings.
- 1000, 2000, 3000, 5000 and 10000 VA sizes.
- Voltage regulation exceeds NEMA requirements.
- UL and UL-3R listed.
- CSA certified.
- 10-year limited warranty.



GROUP L



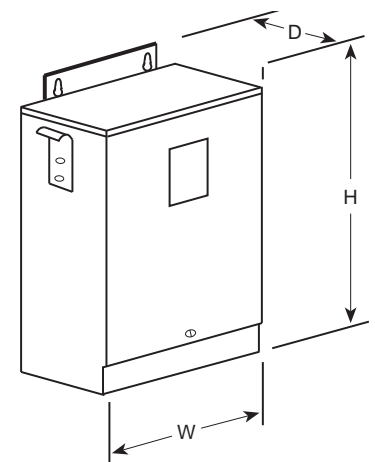
240 x 480 PRIMARY VOLTS—120 SECONDARY VOLTS[®]—1Ø, 50/60 Hz

CATALOG NO.	VA RATING	OUTPUT AMPS	APPROX. DIMENSIONS INCHES (CM.)			APPROX. SHIP WEIGHT LBS. (KG.)	ELECTRICAL CONNECTION DIAGRAM ① ②
			H	W	D		
T181217	1000	8.33	13.10 (33.3)	10.31 (26.2)	7.13 (18.1)	55 (24.9)	B
T181219	2000	16.67	14.77 (37.5)	10.31 (26.2)	7.13 (18.1)	80 (36.3)	B
T181220	3000	25.00	14.77 (37.5)	10.31 (26.2)	7.13 (18.1)	100 (45.4)	B
T181221	5000	41.67	13.85 (35.2)	13.25 (33.7)	10.19 (25.9)	140 (63.5)	B
T181223	10000	83.3	16.47 (41.8)	13.88 (35.3)	12.94 (32.9)	308 (139.7)	B

GROUP M

240/480/600 PRIMARY VOLTS—120/100 Secondary Volts[®]—1Ø, 50/60 Hz

CATALOG NO.	VA RATING	OUTPUT AMPS	APPROX. DIMENSIONS INCHES (CM.)			APPROX. SHIP WEIGHT LBS. (KG.)	ELECTRICAL CONNECTION DIAGRAM ① ②
			H	W	D		
T153929	2000	16.67	14.77 (37.5)	10.31 (26.2)	7.13 (18.1)	80 (36.3)	C
T153930	3000	25.00	13.85 (35.2)	13.25 (33.7)	10.19 (25.9)	130 (59.0)	C
T153931	5000	41.67	13.85 (35.2)	13.25 (33.7)	10.19 (25.9)	140 (63.5)	C



Encapsulated
1000 VA–10000 VA

① See page 70 for electrical diagram.

② See page 58 for fuse sizing information.

③ For secondary fuse size, multiply output amps x 1.25.