



### General Description

EFP SL32GSTD works with or without an AC ballast to convert new or existing fluorescent fixtures into unobtrusive emergency lighting. They maintain illumination of one lamp in the emergency mode for a minimum of 90 minutes.

### Features and Benefits

- Provides a minimum of 90 minutes of emergency illumination
- Can be installed inside, on top of the fixture or remotely mounted
- Can be used in both switched and unswitched fixtures
- Includes low voltage LED combo switch
- Provides a maximum initial lumen output of 500 lumens

### Approvals and Listings

- UL 924 listed for damp locations
- UL listed for retrofit/field installation
- Life safety NFPA 101
- NEC/OSHA
- Suitable for use in sealed and gasketed fixtures.

### Electrical

- Dual voltage input 120V/277 VAC, 60Hz
- Charge rate/power "ON" LED indicator light and push-to-test switch for mandated code compliance testing.
- 4.8V long life, maintenance-free, rechargeable sealed NiCd battery.
- Internal solid-state transfer switch automatically connects the internal battery to fluorescent lamp for minimum 90-minute emergency illumination.
- Fully automatic solid-state, two rate charger initiates battery charging to recharge a discharged battery in 24 hours.
- Time delay enhancement to overcome end-of-life circuit protection.

### Warranty

All lighting emergency ballasts are warranted for a full five (5) years against defects in material and workmanship (lamps excluded).

### Specifications

#### Housing

Low profile galvanized steel construction

#### Lamps

Compatible with most one-, two-, three-, and four-lamp electronic standard and dimming AC ballasts.

#### \*Note

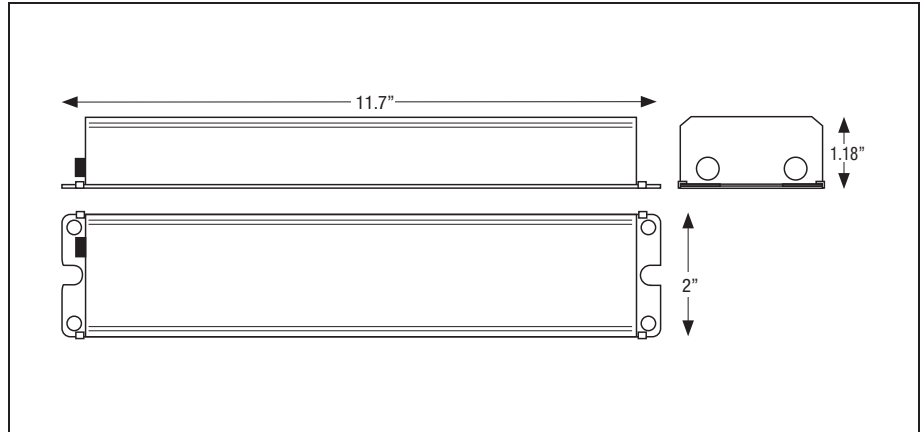
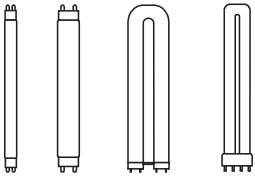
When battery packs are remotely mounted, the remote distance cannot exceed 1/2 of the distance from ballast to lamp specified by the A.C. ballast manufacturer. The maximum allowable remote mounting distance is 50 feet.

#### SUITED FOR



### Lamps

Operates one T5, T5HO, T8, T12, Circular T5/T9, U-bend T8/T12 and 4-Pin long CFL lamp in emergency mode. Refer to the chart on the next page for a complete list of compatible lamps.



### Electrical Information

CATALOG NUMBER	INPUT WATTS (W)		INPUT AMPS (A)	
	120V	277V	120V	277V
EFP SL32GSTD	3.0	3.0	0.130	0.130

### Lamp Compatibility Chart

LAMP TYPE	WATTS	INITIAL LUMENS	
		1-Lamp	2-Lamp
T5	21	450	n/a
T5	28	500	n/a
T5HO	24	475	n/a
T8	25	375	n/a
T8	28	450	n/a
T8	32	475	n/a
T8	40	500	n/a
T12	30	400	n/a
T12	34	425	n/a
T12	40	450	n/a

LAMP TYPE	WATTS	INITIAL LUMENS	
		1-Lamp	2-Lamp
CFL 2G11	36	375	n/a
CFL 2G11	40	425	n/a
CFL GR10q-4	38	400	n/a
Circular T9	32	350	n/a
Circular T9	40	425	n/a
Circular T5	40	450	n/a
Circular T5	55	500	n/a
U-bend T8	32	425	n/a
U-bend T12	34	375	n/a
U-bend T12	40	425	n/a