

Technical data and types

IP20 UL open

Ratings			Type designation	Frame size	IP20 UL open			
P_N hp	P_N kW	I_{2N} A			H2 in	W in	D in	Weight lb
1-phase AC supply, 200 to 240 V								
0.5	0.37	2.4	ACS355-01U-02A4-2	R0	8.0	2.8	6.3	2.4
1	0.75	4.7	ACS355-01U-04A7-2	R1	8.0	2.8	6.3	2.9
1.5	1.1	6.7	ACS355-01U-06A7-2	R1	8.0	2.8	6.3	2.9
2	1.5	7.5	ACS355-01U-07A5-2	R2	8.0	4.1	6.5	3.3
3	2.2	9.8	ACS355-01U-09A8-2	R2	8.0	4.1	6.5	3.3
3-phase AC supply, 200 to 240 V								
0.5	0.37	2.4	ACS355-03U-02A4-2	R0	8.0	2.8	6.3	2.4
0.75	0.55	3.5	ACS355-03U-03A5-2	R0	8.0	2.8	6.3	2.4
1	0.75	4.7	ACS355-03U-04A7-2	R1	8.0	2.8	6.3	2.9
1.5	1.1	6.7	ACS355-03U-06A7-2	R1	8.0	2.8	6.3	2.9
2	1.5	7.5	ACS355-03U-07A5-2	R1	8.0	2.8	6.3	2.9
3	2.2	9.8	ACS355-03U-09A8-2	R2	8.0	4.1	6.5	3.3
5	4	17.6	ACS355-03U-17A6-2	R2	8.0	4.1	6.5	3.3
7.5	5.5	24.4	ACS355-03U-24A4-2	R3	8.0	6.7	6.7	5.5
10	7.5	31	ACS355-03U-31A0-2	R4	8.0	10.2	6.7	9.7
15	11	46.2	ACS355-03U-46A2-2	R4	8.0	10.2	6.7	9.7
3-phase AC supply, 380 to 480 V								
0.5	0.37	1.2	ACS355-03U-01A2-4	R0	8.0	2.8	6.3	2.4
0.75	0.55	1.9	ACS355-03U-01A9-4	R0	8.0	2.8	6.3	2.4
1	0.75	2.4	ACS355-03U-02A4-4	R1	8.0	2.8	6.3	2.9
1.5	1.1	3.3	ACS355-03U-03A3-4	R1	8.0	2.8	6.3	2.9
2	1.5	4.1	ACS355-03U-04A1-4	R1	8.0	2.8	6.3	2.9
3	2.2	5.6	ACS355-03U-05A6-4	R1	8.0	2.8	6.3	2.9
5	4	8.8	ACS355-03U-08A8-4	R1	8.0	2.8	6.3	2.9
7.5	5.5	12.5	ACS355-03U-12A5-4	R3	8.0	6.7	6.7	5.5
10	7.5	15.6	ACS355-03U-15A6-4	R3	8.0	6.7	6.7	5.5
15	11	23.1	ACS355-03U-23A1-4	R3	8.0	6.7	6.7	5.5
20	15	31	ACS355-03U-31A0-4	R4	8.0	10.2	6.7	9.7
25	18.5	38	ACS355-03U-38A0-4	R4	8.0	10.2	6.7	9.7
30	22	44	ACS355-03U-44A0-4	R4	8.0	10.2	6.7	9.7

IP66/UL Type 4X

Ratings			Type designation	Frame size	IP66/UL Type 4X			
P_N hp	P_N kW	I_{2N} A			H in	W in	D in	Weight lb
1-phase AC supply, 200 to 240 V								
0.5	0.37	3.5	ACS355-03U-06A7-2 + B063	R1	12.0	7.7	11.1	17.0
1	0.75	4.9	ACS355-03U-09A8-2 + B063	R3	17.2	9.7	10.9	17.0
2	1.5	10.2	ACS355-03U-17A6-2 + B063	R3	17.2	9.7	10.9	17.0
3-phase AC supply, 200 to 240 V								
0.5	0.37	2.4	ACS355-03U-02A4-2 + B063	R1	12.0	7.7	11.1	17.0
0.75	0.55	3.5	ACS355-03U-03A5-2 + B063	R1	12.0	7.7	11.1	17.0
1	0.75	4.7	ACS355-03U-04A7-2 + B063	R1	12.0	7.7	11.1	17.0
1.5	1.1	6.7	ACS355-03U-06A7-2 + B063	R1	12.0	7.7	11.1	17.0
2	1.5	7.5	ACS355-03U-07A5-2 + B063	R1	12.0	7.7	11.1	17.0
3	2.2	9.8	ACS355-03U-09A8-2 + B063	R3	17.2	9.7	10.9	28.7
5	4	17.6	ACS355-03U-17A6-2 + B063	R3	17.2	9.7	10.9	28.7
3-phase AC supply, 380 to 480 V								
0.5	0.37	1.2	ACS355-03U-01A2-4 + B063	R1	12.0	7.7	11.1	17.0
0.75	0.55	1.9	ACS355-03U-01A9-4 + B063	R1	12.0	7.7	11.1	17.0
1	0.75	2.4	ACS355-03U-02A4-4 + B063	R1	12.0	7.7	11.1	17.0
1.5	1.1	3.3	ACS355-03U-03A3-4 + B063	R1	12.0	7.7	11.1	17.0
2	1.5	4.1	ACS355-03U-04A1-4 + B063	R1	12.0	7.7	11.1	17.0
3	2.2	5.6	ACS355-03U-05A6-4 + B063	R1	12.0	7.7	11.1	17.0
5	4	8.8	ACS355-03U-08A8-4 + B063	R1	12.0	7.7	11.1	17.0
7.5	5.5	12.5	ACS355-03U-12A5-4 + B063	R3	17.2	9.7	10.9	28.7
10	7.5	15.6	ACS355-03U-15A6-4 + B063	R3	17.2	9.7	10.9	28.7

H2 = Height with fastenings but without clamping plate.

H = Height, W = Width, D = Depth

B063 = IP66/IP67/UL Type 4X enclosure

F278 = Optional disconnect switch for IP66/UL Type 4X

Mains connection

Voltage and power connection	1-phase, 200 to 240 V $\pm 10\%$:
	0.5 to 3 hp (0.37 to 2.2 kW)
	3-phase, 200 to 240 V $\pm 10\%$:
	0.5 to 15 hp (0.37 to 11 kW)
3-phase, 380 to 480 V $\pm 10\%$:	0.5 to 10 hp (0.37 to 22 kW)
	48 to 63 Hz

Frequency

Motor connection

Voltage	3-phase, from 0 to U_{SUPPLY}
Frequency	0 to 599 Hz
Overload capacity	1.5 $\times I_{2N}$ for 1 minute every 10 minutes At start 1.8 $\times I_{2N}$ for 2 seconds
Switching frequency	4 (default) to 16 kHz with 4 kHz steps
Parameter-enabled noise cancellation function	

Programmable control connections

Two analog inputs, signal selectable	
Voltage signal	+ 10 V, 0 (2) to 10 V
Current signal	± 20 mA, 0 (4) to 20 mA
One analog output	0 (4) to 20 mA
Five digital inputs	12 to 24 V, PNP and NPN, programmable DI5 0 to 16 kHz pulse train
One relay output	NO + NC, 250 V AC/2 A, 30 V DC/0.5 A
One digital output	Transistor output, 30 V DC/100 mA, programmable 10 Hz to 16 kHz pulse train
Accuracy	24 V DC $\pm 10\%$, max. 200 mA

Environmental limits

Ambient temperature	14 to 104 °F (-10 to 40 °C), no frost allowed 122 °F (50 °C) with 10% derating
Relative humidity	Lower than 95% (without condensation)

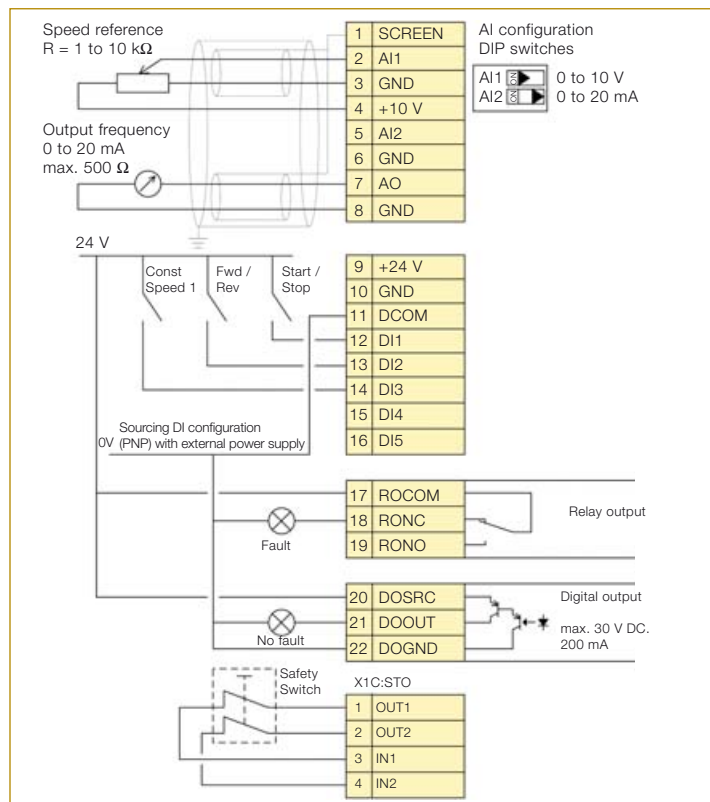


Figure 1. Inputs and outputs configuration based on ABB standard macro and external digital input supply voltage.

For more information please contact your local ABB representative or visit:

www.abb.com/drives

© Copyright 2016 ABB. All rights reserved. Specifications subject to change without notice.