

Terminal blocks for distribution boxes

Double-deck + protection

Screw clamp, U DIN 3

D 4/6... - 4 mm² blocks - 6 mm .238" spacing

Characteristics

		IEC NFC DIN	UL	CSA
Wire size mm ² / AWG	Solid	0.2 - 4 mm ²	18-12 AWG	18-12 AWG
	Stranded	0.2 - 4 mm ²		
Ground bar (1)		10 x 3 mm		
Voltage	V	320 (1) / 400 (2) 400 (3)	300	300
Pulse	kV	4 (1) / 6 (2) 6 (3)		
Rated Current	A	30	20	20
Short circuit current (2)	A / s	480 A/1s		
Rated wire size	mm ² / AWG	4 mm ² / A4	12 AWG	12 AWG
Wire stripping length	mm / inches	9.5 mm / .37"		
Recommended torque	Nm / lb.in	0.4 - 0.8 Nm / 3.5 - 7 lb.in		

Selection

Description	Type	Order P/N	Packaging
-------------	------	-----------	-----------

D 4/6.NTLP

- 1 circuit "disconnect neutral" with busbar connection, blue marking
- 1 circuit "feed-through"
- 1 circuit "ground" connected to the rail, green-yellow marking

Double deck block	grey	<input type="checkbox"/>	D 4/6.NTLP	0110 439.22	20
-------------------	------	--------------------------	------------	-------------	----

D 4/6.NLP

- 1 circuit "neutral", blue marking
- 1 circuit "feed-through"
- 1 circuit "ground" connected to the rail, green-yellow marking

Double deck block	grey	<input type="checkbox"/>	D 4/6.NLP	0110 440.07	20
-------------------	------	--------------------------	-----------	-------------	----

D 4/6.LLP

- 2 circuits "feed-through"
- 1 circuit "ground" connected to the rail, green-yellow marking

Double deck block	grey	<input type="checkbox"/>	D 4/6.LLP	0110 441.24	20
-------------------	------	--------------------------	-----------	-------------	----

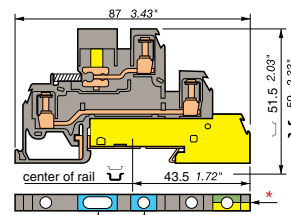
D 4/6...L

- 1 circuit "neutral", blue marking ①
- 1 circuit "feed-through" ①
- 2 circuits "feed-through" ②

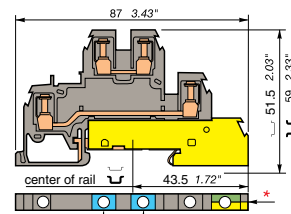
Double deck block ①	grey	<input type="checkbox"/>	D 4/6.NL	0110 447.22	20
Double deck block ②	grey	<input type="checkbox"/>	D 4/6.LL	0110 442.25	20

Accessories

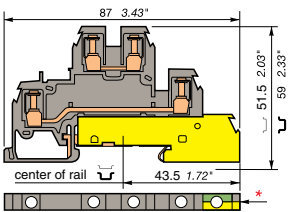
End stop			BAMH	9.1 mm	0114 836.00	50
End section	grey	<input type="checkbox"/>	FED6	1 mm	0116 964.12	20
Separate end section			SCFD	1.5 mm	0114 117.07	10
Circuit separator	white	<input type="checkbox"/>	SCD		0103 189.26	10
Assembled jumper bad (without IP20 protection)	2 poles		BJM62	32 A	0173 217.26	10
	3 poles		BJM62	32 A	0173 218.07	10
	4 poles		BJM62	32 A	0173 219.00	10
	5 poles		BJM62	32 A	0173 221.22	10
	10 poles		BJM62	32 A	0173 226.27	10



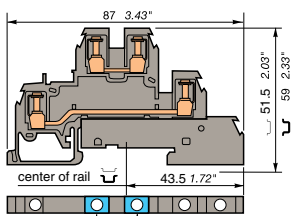
D 4/6.NTLP



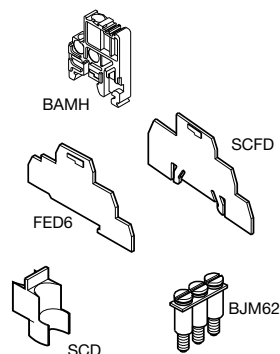
D 4/6.NLP



D 4/6.LLP



D 4/6...L

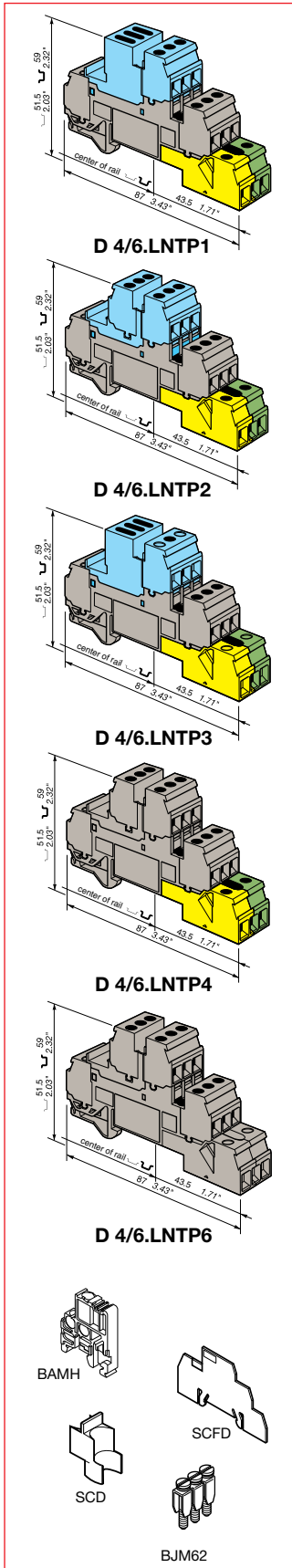


① Between "feed-through" and "neutral" circuits
 ② Between 2 "feed-through" circuits (side by side)
 ③ For blocks : D 4/6.NLP, D 4/6.LLP, D 4/6...L

Double deck + protection terminal blocks for distribution boxes

Screw clamp, \mathcal{U} DIN 3

Screw clamp



D 4/6.LNTP - 4 mm² closed blocks - 17.8 mm .700" spacing

Characteristics

Wire size mm ² / AWG	Solid Stranded	IEC	UL	CSA
		NFC DIN		
		0.2 - 4 mm ²	18-12 AWG	18-12 AWG
Voltage	V	320 ^③ /400 ^③	300 V	300 V
Pulse	kV	4 ^③ / 6 ^③		
Rated Current	A	30 A	20 A	20 A
Short circuit current ^①	A / s	480 A/1s ^①		
Rated wire size	mm ² / AWG	4 mm ²	12 AWG	12 AWG
Wire stripping length	mm / inches	9.5 mm / .37"		
Recommended torque ^②	Nm / lb.in	0.5-0.8 Nm / 4.4-7.1 lb.in ^②		

Selection

Description	Type	Order P/N	Packaging
-------------	------	-----------	-----------

D 4/6.LNTP1

3 circuits "disconnect neutral" with busbar connection
3 circuits "feed-through"
3 circuits "ground" connected to the rail

Closed block blue, grey and green-yellow	4/6.LNTP1	0110 264.02	10
--	-----------	-------------	----

D 4/6.LNTP2

3 circuits "neutral"
3 circuits "feed-through"
3 circuits "ground" connected to the rail

Closed block blue, grey and green-yellow	4/6.LNTP2	0110 327.21	10
--	-----------	-------------	----

D 4/6.LNTP3

1 circuits "disconnect neutral" with busbar connection
3 circuits "feed-through"
1 circuit "ground" connected to the rail

Closed block grey and green-yellow	4/6.LNTP3	0110 269.17	10
------------------------------------	-----------	-------------	----

D 4/6.LNTP4

6 circuits "feed-through"
3 circuits "ground" connected to the rail

Closed block grey and green-yellow	4/6.LNTP4	0110 328.02	10
------------------------------------	-----------	-------------	----

D 4/6.LNTP6

6 circuits "feed-through"

Closed block grey	<input type="checkbox"/> D 4/6.LNTP6	0110 331.25	10
-------------------	--------------------------------------	-------------	----

Accessories

End stop		BAMH 9.1 mm	0114 836.00	50
Separator end section	grey	<input type="checkbox"/> SCFD 1,5 mm	0114 117.07	10
Circuit separator	white	<input type="checkbox"/> SCD	0103 189.26	10
Assembled jumper bar (without IP20 protection)	2 poles	BJM62 32 A	0173 217.26	10
	3 poles	BJM62 32 A	0173 218.07	10
	4 poles	BJM62 32 A	0173 219.00	10
	5 poles	BJM62 32 A	0173 221.22	10
	10 poles	BJM62 32 A	0173 226.27	10
Busbar		B03 1000 x 10 x 3 mm	0 164 406.24	
Screw clamp for busbar		SFB1 0.5 to 35 mm ²	0 163 860.05	
		SFB2 16 to 35 mm ²	0 168 956.06	

^① Except for D 4/6.LNTP6

^② For D 4/6.LNTP6 : 0.4-0.8 Nm / 3.5-7 lb.in

^③ For D 4/6.LNTP1 and D 4/6.LNTP3 : between "feed-through" and neutral circuits

^④ For D 4/6.LNTP1 and D 4/6.LNTP3 : between 2 "feed-through" circuits (side by side). For other blocks : with no condition.