

125A

For a complete assembly,
please select one of each:

- 1 switch
- 1 handle
- 1 shaft



OT160E3



OSP6X210



OHB65J6

125 Amp Base & DIN rail mounted switches^①, 600V

UL general purpose amp rating	IEC AC21 amp rating	Maximum horsepower rating					Terminal lugs		Catalog number	List price
		Three phase					Wire size	Wire type		
		200V	208V	240V	480V	600V				
2 pole 125	160	—	—	—	—	—	#8 – 1/0	Cu	2 pole OT160E2	\$ 380
3 pole 125	160	30	30	40	75	100	#8 – 1/0	Cu	3 pole OT160E3	420

125 Amp Door mounted switch^①, 600V, 3 pole

UL general purpose amp rating	IEC AC21 amp rating	Maximum horsepower rating					Terminal lugs		Catalog number	List price
		Three phase					Wire size	Wire type		
		200V	208V	240V	480V	600V				
125	160	30	30	30	75	100	#8 – 1/0	Cu	OT160ET3	\$ 548

Pistol handles — for use with □ .24 x .24" (□ 6 x 6 mm)

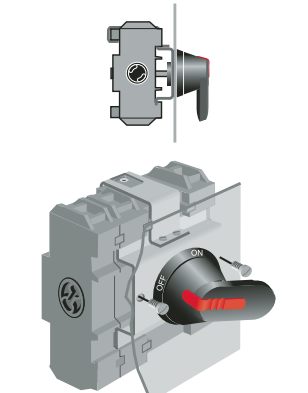
UL/NEMA type	IEC type	Color	Length in/mm	Marking	Defeat- able	Padlock- able	Weight (lbs)	Catalog number	List price
1, 3R, 12	IP65	Black	2.6/65	O/I & Off/On	Yes	Yes	0.29	OHB65J6	\$ 80
1, 3R, 12	IP65	Red/Yel	2.6/65	O/I & Off/On	Yes	Yes	0.29	OHY65J6	80
1, 3R, 12	IP65	Black	3.1/80	O/I & Off/On	Yes	Yes	0.30	OHB80J6	90
1, 3R, 12	IP65	Red/Yel	3.1/80	O/I & Off/On	Yes	Yes	0.30	OHY80J6	90
1, 3R, 4, 4X, 12	IP66	Black	3.1/80	O/I & Off/On	Yes	Yes	0.30	OHB80L6	130
1, 3R, 4, 4X, 12	IP66	Red/Yel	3.1/80	O/I & Off/On	Yes	Yes	0.30	OHY80L6	130

Shafts — for use with pistol handles □ .24 x .24" (□ 6 x 6 mm)

Shaft length inches/mm		Mounting depth ^② in inches	Weight (lbs)	Catalog number	List price
5.2/130		4.3 – 6.0	0.08	OSP6X130	\$ 12
5.9/150		5.0 – 6.7	0.09	OSP6X150	12
8.3/210		7.4 – 9.1	0.13	OSP6X210	16
11.4/290		10.5 – 12.2	0.18	OSP6X290	20
14.2/360		13.3 – 15.0	0.23	OSP6X360	24
16.9/430		16.0 – 17.8	0.27	OSP6X430	28

Twisted shafts — Rotates handle 45° □ .24 x .24" (□ 6 x 6 mm)

Shaft length inches/mm		Mounting depth ^② in inches	Weight (lbs)	Catalog number	List price
5.2/130		4.3 – 6.0	0.08	OSP6X130-45	\$ 12
8.3/210		7.4 – 9.1	0.13	OSP6X210-45	16
11.4/290		10.5 – 12.2	0.18	OSP6X290-45	20
14.2/360		13.3 – 15.0	0.23	OSP6X360-45	24



OT160ET3



OHB_J6



OHY_J6



OSP6X_



OSP6X_/45

① A snap on fourth pole may be added – please reference accessories page 17.21.

② Mounting depth is the distance from the outside of the door to the disconnect switch mounting plate. Shaft can be cut to desired length.