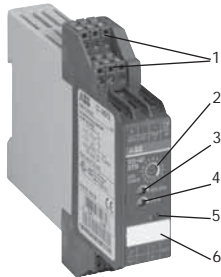


Analog standard signal converter CC-U/STD

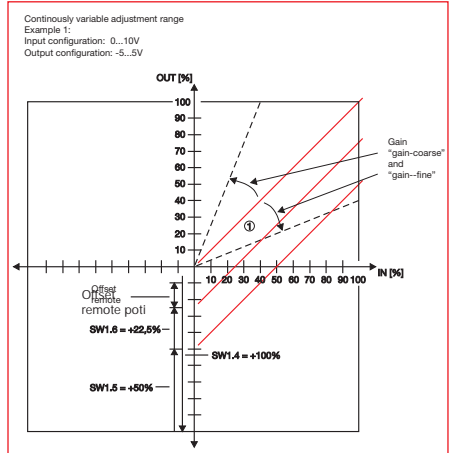
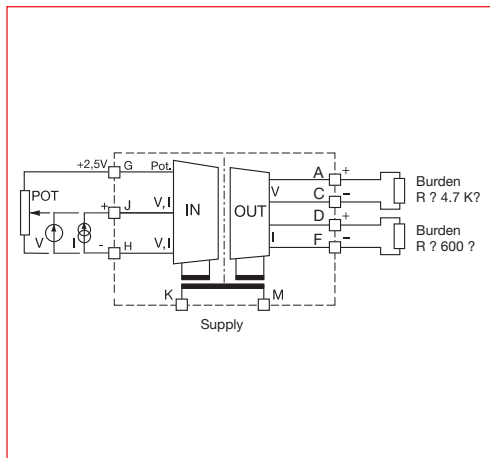


CC-U/STD

- 1 Plug-in terminals
- 2 Gain: Coarse adjustment
- 3 Gain: Fine adjustment
- 4 Offset adjustment
- 5 U: green LED - supply voltage
- 6 Marker

CC-U/STD universal signal converter with 3-way electrical isolation

- More than 120 configurations possible
- Configurable output signal response on input signal interruption (low fail safe / high fail safe)
- Adjustment and operating elements on the front-side
- Short-circuit proof signal outputs
- Plug-in connecting terminals for inputs, outputs and supply
- Very fast signal transmission enables use in control systems



DIP switch settings

	SW1								A...D	C
	1	2	3	4	5	6	7	8		
Potentiometer									A...D	C
0...50 mV									A...D	C
0...100 mV									4...5	5
0...250 mV									0...1	1
0...500 mV									7...9	8
0...1 V									3...4	3
0...2.5 V									0	0
0...5 V									5...7	6
0...10 V									2	2
1...5 V									7...9	8
2...10 V									2...4	3
-10...+10 V									0	0
0...125 mV									3...4	3
0...8 V									3...4	3
-22.5...+22.5 mV									B...F	D
-11...+11 V									0	0
2.5...7.5 V									5...7	6
3.33...9.99 V									3...4	4
10...0 V									2	2
100...0 mV									4...5	5
0...1 mA									A...D	B
0...20 mA									2...4	3
4...20 mA									4...5	4
10...50 mA									0...1	1
20...4 mA									4...5	4
20...0 mA									4...2	3
-0.45...+0.45 mA									B...F	D
-55...+55 mA									4...6	5
High fail safe *)									-	-
Low fail safe *)									-	-
No fail safe *)									-	-

*) Detection of input signal interruptions:

If the input signal circuit is interrupted, the output signal changes to the adjusted minimum value (low fail safe) or maximum value (high fail safe). If "No fail safe" is configured, input signal interruptions are not detected.

Output	SW2					
	1	2	3	4	5	6
0...5 V						
0...10 V						
1...5 V						
2...10 V						
-10...+10 V						
-3...+5 V						
-10...0 V						
-5...0 V						
0...6.66 V						
-10...3.33 V						
-5...1.66 V						
0...8 V						
0...4 V						
-10...-2 V						
-5...-1 V						
1.25...6.25 V						
-7.5...2.5 V						
-3.75...1.25 V						
1.66...8.33 V						
-6.66...6.66 V						
-3.33...3.33 V						
-8...0 V						
-4...0 V						
0...1 mA						
0...20 mA						
4...20 mA						
0...10 mA						
0...0.5 mA						
0...13.33 mA						
0...666 µA						
0...16 mA						
0...800 µA						
0...8 mA						
0...400 µA						
2.5...12.5 mA						
125...625 µA						
3.33...16.66 mA						
166...833 µA						
0.2...1 mA						
2...10 mA						
100...500 µA						

Legend	
■	ON
□	OFF
■	no influence

Type	Supply voltage 50/60 Hz	Order code	Pack. unit pieces
CC-U/STD	24-48 V DC / 24 V AC	1SVR 040 000 R1700	1
	110-240 V AC / 100-300 V DC	1SVR 040 001 R0400	1