



TURCK

Industrial Connectivity Products

M8 picofast® 2-Branch Compact Splitters, Standard and LED Wiring

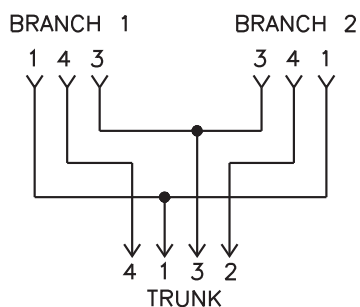
- Combine 2 Sensors into One Cable
- For Use on Cylinders and Other Dual-Input Applications
- Tough Polyurethane Construction
- IEC IP 67 Protection



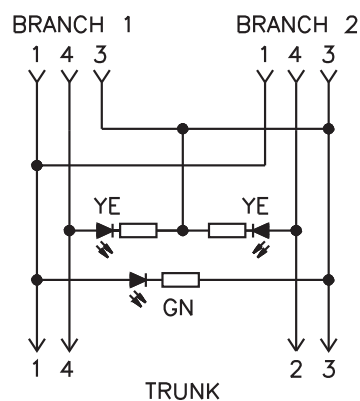
Application	Specifications	Wiring Diagram	Housing	Part Number
2 picofast branches, 3-wire & 1 picofast trunk, 4-wire	125 VAC/VDC, 2 A	Standard 3-wire		YP2-MFS 4/2MFK 3
2 picofast branches, 3-wire & 1 picofast trunk, 4-wire, LEDs	30 VAC/VDC, 2 A	LED 3-wire		YP2-PX2-MFS 4/2MFK 3

Wiring Diagram

Standard 3-wire



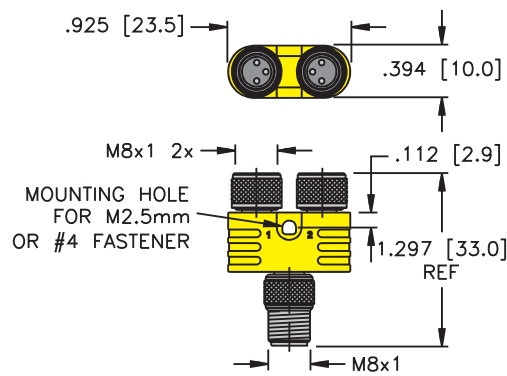
LED 3-wire



- Junction Body:** Oil resistant yellow polyurethane.
- Connector:** Oil resistant polyurethane body material, Nylon or PUR contact carrier, spacings to VDE 0110 Group C.
- Contacts:** Gold plated brass.
- Coupling Nuts:** Nickel plated brass.
- Temperature:** -40°C to +105°C (-40°F to +221°F)
- Protection:** NEMA 1,3,4,6P and IEC IP 67.

Notes: Mounting hole accepts #4 screw.

YP2-(PX2)MFS4/2MFK3



Pinouts

Female	Male
3-pin picofast	4-pin picofast