

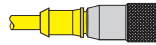
microfast® Standard Cordsets and Extensions, Unshielded PVC



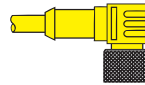
- Unshielded
- High Grade Oil & UV Resistant PVC
- Standard Plug Body
- Available in 3 - 5 Conductor



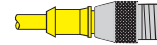
See table below



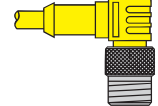
KB ..



WKB ..



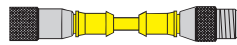
SB ..



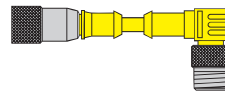
WSB ..

3, 4 and 5-pin, 250 V, 4.0 A

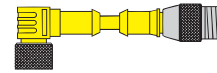
Application	Cable Specs	Pinout	Female		Male	
			Straight	Right Angle	Straight	Right Angle
Standard duty for 3-wire applications UL Listed CSA Certified	3/22 AWG Yellow PVC 105°C 5.2 mm OD	1. Gn 2. Rd/Bk 3. Rd/Wh	KB 3T-*	WKB 3T-*	SB 3T-*	WSB 3T-*
Standard duty for 4-wire applications UL Listed CSA Certified	4/22 AWG Yellow PVC 105°C 5.7 mm OD	1. Rd/Bk 2. Rd/Wh 3. Rd 4. Gn	KB 4T-*	WKB 4T-*	SB 4T-*	WSB 4T-*
Standard duty for 5-wire applications UL Listed CSA Certified	5/22 AWG Yellow PVC 105°C 5.7 mm OD	1. Rd/Wh 2. Rd 3. Gn 4. Rd/Ye 5. Rd/Bk	KB 5T-*	WKB 5T-*	SB 5T-*	WSB 5T-*



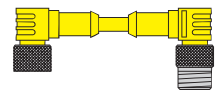
KB .. SB ..



KB .. WSB ..



WKB .. SB ..



WKB .. WSB ..

3, 4 and 5-pin, 250 V, 4.0 A

Application	Cable Specs	Straight Female	Straight Female	Right Angle Female	Right Angle Female
		Straight Male	Right Angle Male	Straight Male	Right Angle Male
Standard duty for 3-wire applications UL Listed CSA Certified	3/22 AWG Yellow PVC 105°C 5.2 mm OD	KB 3T-*-SB 3T	KB 3T-*-WSB 3T	WKB 3T-*-SB 3T	WKB 3T-*-WSB 3T
Standard duty for 4-wire applications UL Listed CSA Certified	4/22 AWG Yellow PVC 105°C 5.7 mm OD	KB 4T-*-SB 4T	KB 4T-*-WSB 4T	WKB 4T-*-SB 4T	WKB 4T-*-WSB 4T
Standard duty for 5-wire applications UL Listed CSA Certified	5/22 AWG Yellow PVC 105°C 5.7 mm OD	KB 5T-*-SB 5T	KB 5T-*-WSB 5T	WKB 5T-*-SB 5T	WKB 5T-*-WSB 5T

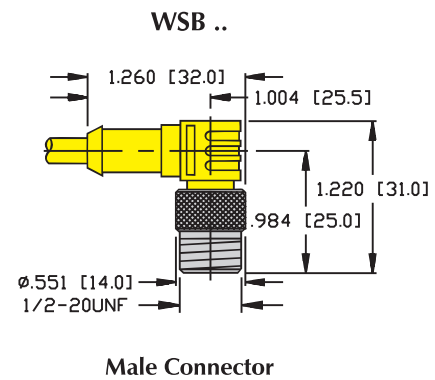
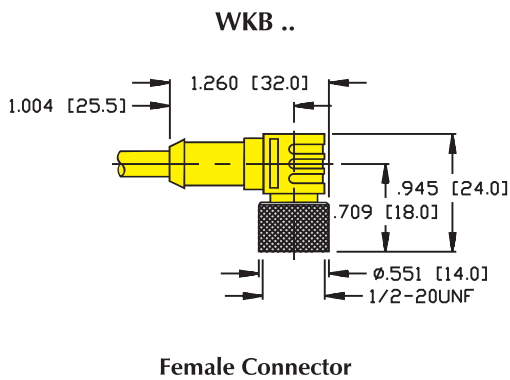
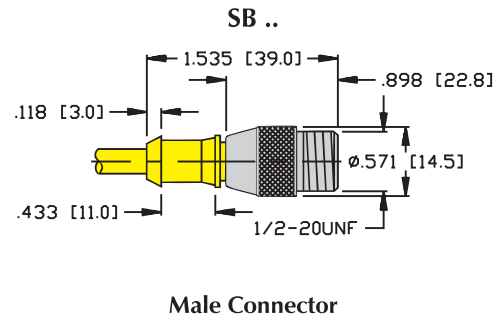
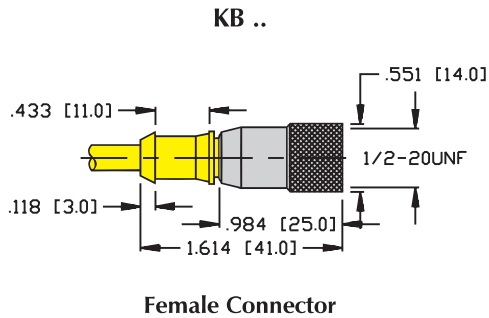
* = Length in meters

Specifications

- Connector:** Oil resistant polyurethane body material, Nylon contact carrier.
- Contacts:** Gold plated brass.
- Coupling Nuts:** Nickel plated brass, (see options below)**.
- Cable:** See table.
- Protection:** NEMA 1,3,4,6P and IEC IP 67.
- Cable Length:** Standard cable lengths are nominal 2, 4 and 6 meters. Other lengths available by request - consult factory.

**** Options:** To specify stainless steel coupling nut, add a "V" to part number.
 For example: KB .. to KBV .. (straight female) or WSB .. to WSBV .. (right angle male).

Dimensions



Pinouts

Female			Male		
3-pin	4-pin	5-pin	3-pin	4-pin	5-pin