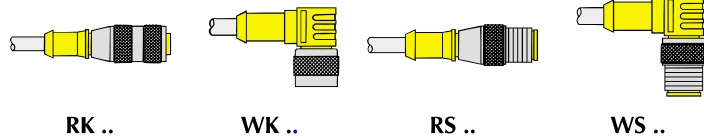




**eurofast® Standard Duty Connectors, Unshielded, PVC**

- 20 - 22 AWG
- Available in 2 - 5 Conductor
- High Grade Oil and UV Resistant PVC
- Unshielded



**4-pin, 250 VAC / 300 VDC, 4 A**

Application	Cable Specs	Pinout	Female		Male	
			Straight	Right Angle	Straight	Right Angle
2-wire DC sensors UL Recognized CSA Certified	2/20 AWG Grey PVC 105°C 5.2 mm OD	1. N/C 2. N/C 3. Bn 4. Bu	RK 4.2T-*	WK 4.2T-*	RS 4.2T-*	WS 4.2T-*
3-wire DC sensors UL Recognized CSA Certified	3/20 AWG Grey PVC 105°C 5.2 mm OD	1. Bn 2. N/C 3. Bu 4. Bk	RK 4T-*	WK 4T-*	RS 4T-*	WS 4T-*
3-wire DC sensors UL Recognized CSA Certified	3/20 AWG Yellow PVC 105°C 5.2 mm OD	1. Bn 2. N/C 3. Bu 4. Bk	RK 4T-*/S715	WK 4T-*/S715	RS 4T-*/S715	WS 4T-*/S715
4-wire DC applications UL Recognized CSA Certified	4/22 AWG Grey PVC 105°C 5.2 mm OD	1. Bn 2. Wh 3. Bu 4. Bk	RK 4.4T-*	WK 4.4T-*	RS 4.4T-*	WS 4.4T-*
4-wire DC applications UL Recognized CSA Certified	4/22 AWG Yellow PVC 105°C 5.2 mm OD	1. Bn 2. Wh 3. Bu 4. Bk	RK 4.43T-*	WK 4.43T-*	RS 4.43T-*	WS 4.43T-*

**5-pin, 250 V, 4 A**

Application	Cable Specs	Pinout	Female		Male	
			Straight	Right Angle	Straight	Right Angle
5-wire DC applications UL Recognized CSA Certified	5/22 AWG Grey PVC 105°C 5.7 mm OD	1. Bn 2. Wh 3. Bu 4. Bk 5. Gy	RK 4.5T-*	WK 4.5T-*	RS 4.5T-*	WS 4.5T-*
5-wire DC applications UL Recognized CSA Certified	5/22 AWG Yellow PVC 105°C 5.7 mm OD	1. Bn 2. Wh 3. Bu 4. Bk 5. Gy	RK 4.5T-*/S715	WK 4.5T-*/S715	RS 4.5T-*/S715	WS 4.5T-*/S715

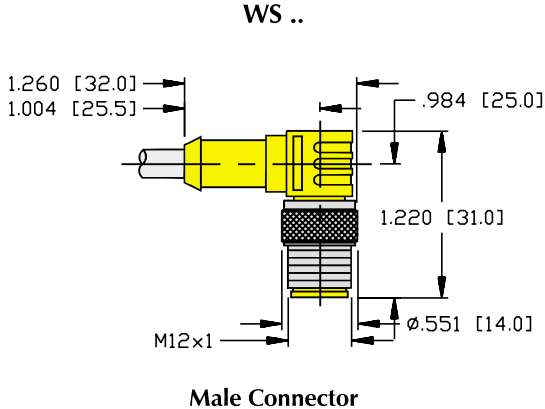
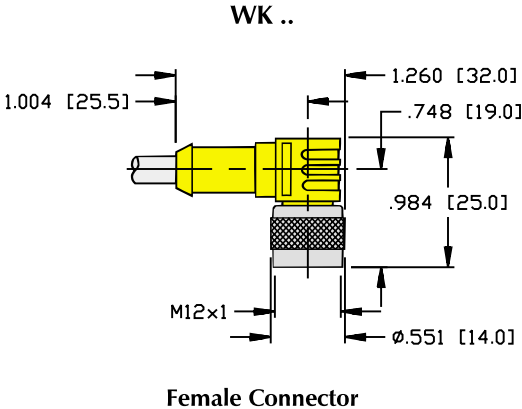
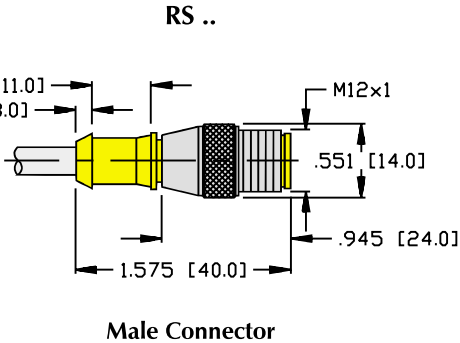
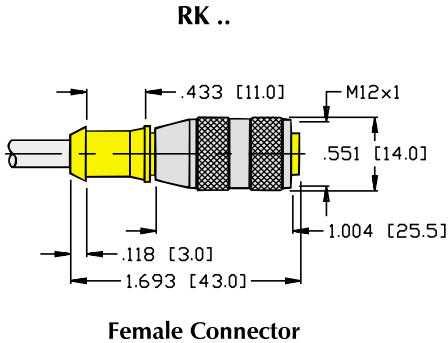
\* = Length in meters

## Specifications

- Connector:** Oil resistant polyurethane body material, Nylon or PUR contact carrier. Spacings to VDE 0110 Group C.
- Contacts:** Gold plated brass, machined from solid stock.
- Coupling Nuts:** Nickel plated brass. See options below\*\*.
- Cable:** See table.
- Protection:** NEMA 1,3,4,6P and IEC IP 68.
- Cable Length:** Standard cable lengths are nominal 2, 4 and 6 meters. Other lengths available by request - consult factory.

**\*\* Options:** To specify nylon coupling nut, add a "K" to part number.  
 For example: RK .. to RKK .. (straight female) or WS .. to WSK .. (right angle male).  
 To specify stainless steel coupling nut, add a "V" to part number.  
 For example: RK .. to RKV .. (straight female) or WS .. to WSV .. (right angle male).

## Dimensions



## Pinouts

Female		Male	
<b>4-pin</b>	<b>5-pin</b>	<b>4-pin</b>	<b>5-pin</b>