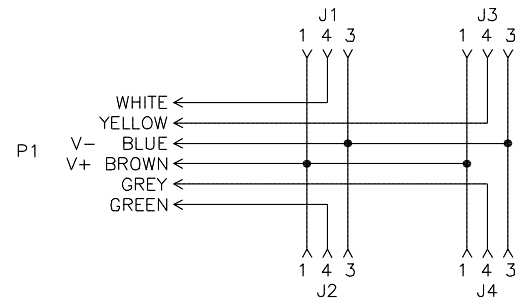
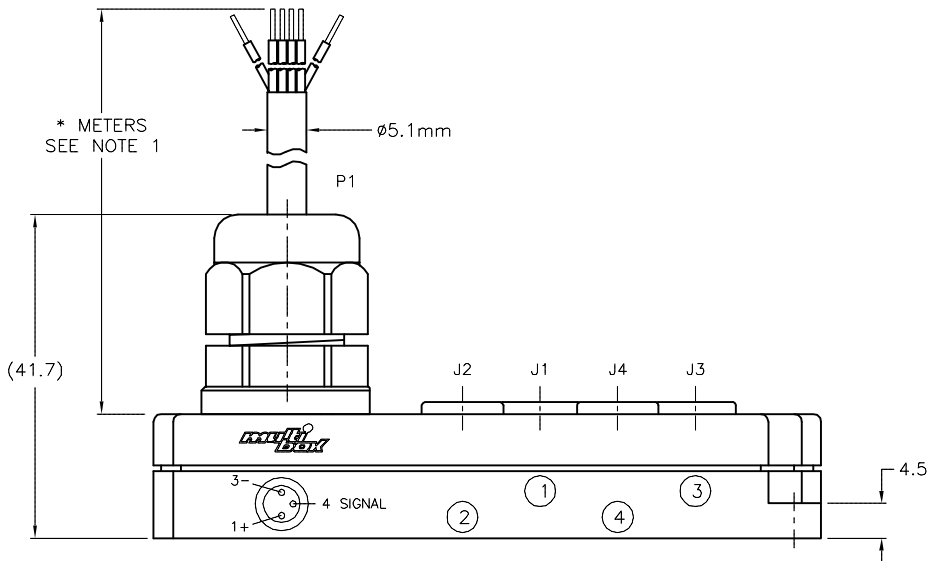
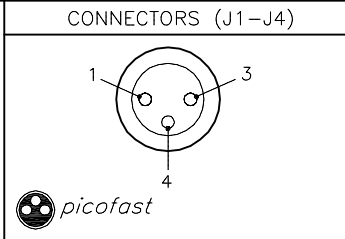


SPECIFICATIONS	
HOUSING MATERIAL/COLOR	NYLON/YELLOW
RECEPTACLE MATERIAL/FINISH	POLYURETHANE/ (P1), BRASS/NICKEL (J1-J4)
CONTACT CARRIER MATERIAL	NYLON (J1-J4)
CONTACTS MATERIAL/PLATING	BRASS/GOLD
OPERATING VOLTAGE	48 V DC
OPERATING CURRENT	3.0 A PER PORT, 3.0 A TOTAL
PROTECTION CLASS to DIN 40050	IP 67 - ONLY WHEN ALL RECEPTACLES ARE COVERED WITH PLUGS OR CONNECTED
OPERATING TEMPERATURE	-30°C to 80°C (-22°F to 176°F)
CABLE DATA	
TYPE	6x24 AWG
INNER JACKET MATERIAL	PVC
JACKET INSULATION/COLOR	PVC/BLACK



WIRING DIAGRAM

CABLE LENGTH	TOLERANCE*
ALL LENGTHS	+ 4% (OR 50mm) OF LENGTH - 0% (OR 0mm) OF LENGTH WHICHEVER IS GREATER
STRIP LENGTH	TOLERANCE*
0-7mm	±0.5mm
8-29mm	±1.0mm
30-49mm	±2.0mm
50-69mm	±3.0mm
70-100mm	±4.0mm
OVER 100mm	±5.0mm
* UNLESS OTHERWISE SPECIFIED	

NOTES:

1. "*" INDICATES CABLE LENGTH IN METERS. CONTACT TURCK TO ORDER SPECIFIC LENGTHS.

SOURCE DRAWING - FOR REFERENCE ONLY

RELATED DOCUMENTS	3RD ANGLE PROJECTION	THIS DRAWING IS CONFIDENTIAL AND THE PROPERTY OF TURCK INC. USE OF THIS DOCUMENT WITHOUT WRITTEN PERMISSION IS PROHIBITED.	TURCK INC High Technology Sensors and Automation Controls 3000 CAMPUS DRIVE MINNEAPOLIS, MN 55441 1-800-544-7769 (763) 553-7300 (763) 553-0708 fax turck.com	
1.		DRFT	DATE 09/05/00	DESCRIPTION VB 403M-*
2.		APVD	SCALE 1=1.0	
3.	ALL DIMENSIONS DISPLAYED ON THIS DRAWING ARE FOR REFERENCE ONLY CONTACT TURCK FOR MORE INFORMATION	UNIT OF MEASUREMENT MILLIMETERS		IDENTIFICATION NO.
4.		DO NOT SCALE THIS DRAWING		REV B
MATERIAL	SEE SPECIFICATIONS	FILE: 777000176		
FINISH	SEE SPECIFICATIONS	SHEET 1 OF 1		

B	UPDATE CABLE DIAMETER	KMY	11/02/11	34926
REV	DESCRIPTION	BY	DATE	ECO NO.