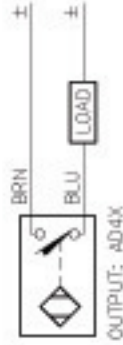
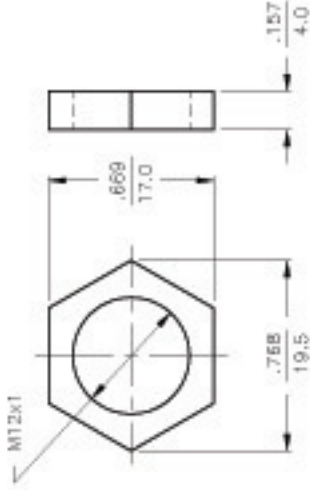


WIRING DIAGRAM



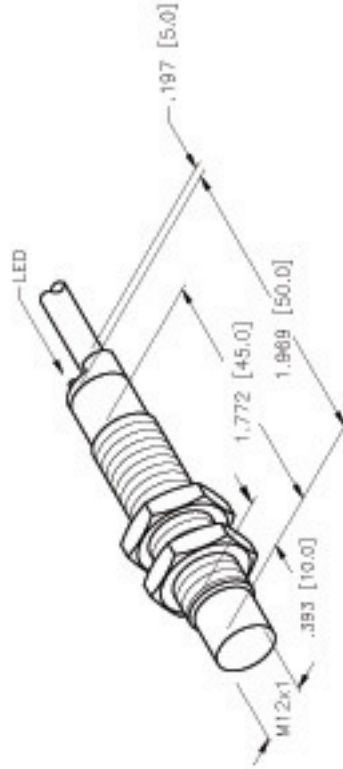
SHORT-CIRCUIT AND OVERLOAD PROTECTED

LOCKNUT LN-M12



SPECIFICATIONS

OPERATING VOLTAGE	10-65 VDC
RIPPLE	≤ 10%
HYSTERESIS (DIFFERENTIAL TRAVEL)	3-15% (5% TYPICAL)
VOLTAGE DROP ACROSS CONDUCTING SENSOR	≤ 5.0 V at 100 mA
OUTPUT FUNCTION	NORMALLY OPEN 2-WIRE DC SELF-CONTAINED
TTL COMPATIBLE	NO
SHORT-CIRCUIT PROTECTED	YES
TRIGGER CURRENT FOR OVERLOAD PROTECTION	≥ 120 mA
MAXIMUM LOAD CURRENT	≤ 100 mA
MINIMUM LOAD CURRENT	≥ 3.0 mA
LEAKAGE (OFF-STATE) CURRENT	≤ 0.8 mA
TIME DELAY BEFORE AVAILABILITY	≤ 10 ms
POWER-ON EFFECT PROTECTION	INCORPORATED
PROTECTION AGAINST TRANSIENTS	PER EN 60947-5-2
OPERATING TEMPERATURE	-25°C to +70°C (-13°F to +158°F)
ENCLOSURE	MEETS NEMA 1, 3, 4, 8, 13 AND IEC IP67
SHOCK	30 g, 11 ms
VIBRATION	55 Hz, 1 mm AMPLITUDE (IN ALL 3 PLANES)
LED FUNCTION	YELLOW; OUTPUT ENERGIZED
SENSING RANGE	4 mm ± .157" (NOMINAL)
SWITCHING FREQUENCY	1000 Hz
REPEATABILITY	± 2% of NOMINAL SENSING RANGE
SHIELDED	NO



NOTE:

1. ALL TOLERANCES ± 1.0 mm.
2. THIS SENSOR MAY BE USED AS A SINKING OR SOURCING DEVICE.

REV	DESCRIPTION	BY	DATE	EDD NO.
C	UPDATE HOUSING STYLE, LED COLOR		CBM 04/24/00	B3497

SOURCE DRAWING - FOR REFERENCE ONLY

RELATED DOCUMENTS	3RD ANGLE PROJECTION		THIS DRAWING IS PROPERTY OF TURCK INC. USE OF THIS DOCUMENT WITHOUT WRITTEN PERMISSION IS PROHIBITED.	TURCK INC High Technology Sensors and Automation Controls	
				DATE: 04/24/00	DESCRIPTION: NI 4-M12-AD4X
UNIVERSAL	BRASS BARREL	TOLERANCES UNLESS OTHERWISE SPECIFIED: X ± 0.02 .XX ± 0.01 .XXX ± 0.005	UNIT OF MEASUREMENT INCH (MILLIMETER)	SCALE: NONE	IDENTIFICATION NO.: T4405200
FINISH	COPPER/NICKEL/ CHROME PLATING	ANGLES ± 1° ALL DIMENSIONS ARE REFERENCE ONLY	00 NOT SCALE THIS DRAWING	FILE: T4405200	SHEET 1 OF 1