

SENTINALL™

S711D SERIES (2100)



PRODUCT FEATURES:

- » Surface wall mount – 7"W×11"W×4"D
- » 18-gauge cold rolled steel baseplate
- » UV-stabilized, injection molded polycarbonate lens
- » Peace of Mind Guarantee® against breakage

SPECIFICATIONS

LENS/HOUSING: One-piece wraparound lens/housing. UV-stabilized, high impact, virgin injection molded polycarbonate. Housing section available in Matte White or Dark Bronze finish.

BASE: 18-gauge CRS, provided with four-point mounting holes and one wireway hole. White TGIC polyester powder coat – 5-stage pre-treatment. Salt spray test: 1,000 hours. See Options or Accessories for marine grade aluminum base (AL), surface conduit adapter (SA), and aluminum surface conduit adapter (ASA).

REFLECTOR: Full reflector/wire cover (92% reflectivity).

GASKET: Die-cut closed cell neoprene gasket seals lens/housing to mounting surface.

HARDWARE: One stainless steel Torx® with center pin fastener secures lens/housing to base.

ELECTRICAL: Available in 3500K, 4000K, and 5000K color temperatures, 80 CRI. 120-277VAC or 347VAC, 50/60Hz electrical input with high power factor electronic, constant-current driver (>.90 PF). Standard 0-10V dimming with 1-100% range; maximum driver source of 200 µA.

INSTALLATION: Standard four-point mounting required for Peace of Mind Guarantee®.

PHOTOMETRICS: Photometry tested to the IESNA LM-79-08 standard by an ILAC/ISO17025 accredited laboratory. For additional photometric data, please go to www.kenall.com.

WARRANTY: One (1) year warranty against defects in materials and workmanship. Five (5) year warranty on LED lamps and driver for defects resulting in a fixture lumen depreciation of 30% or greater.

LISTINGS: Luminaire is certified to UL Standards by Intertek Testing Laboratory for Wet Location. ADA compliant.



PROJECT INFORMATION

Job Name _____

Fixture Type _____

Catalog Number _____

Approved by _____

ORDERING INFORMATION (Ex: S711D-P-DB-16L40K-DV)

Model	Lens Type	Finish	Lamp Type	Voltage	Options	Accessories
S711D	P					
	Lens Type		Lamp Type	Voltage	Options	
	P Pearlescent		8L35K 8 Watt 3500K LED	120 120 Volts	AL Marine Grade Aluminum Base	
			8L40K 8 Watt 4000K LED	277 277 Volts	BPC Photo Control (120 or 277V only)	
	Finish		8L50K 8 Watt 5000K LED	347▲ 347 Volts	FS Single Fuse & Holder	
	MW Matte White		16L35K 16 Watt 3500K LED	DV▲ 120-277 Volts	LEL-SA LED Emergency Battery Backup with CRS Surface Adapter (SA)- Non ADA (n/a with 347V)	
	DB Dark Bronze		16L40K 16 Watt 4000K LED		LEL-ASA LED Emergency Battery Backup with AL Surface Adapter (ASA)- Non ADA (n/a with 347V)	
			16L50K 16 Watt 5000K LED			
					Accessories	
					SA CRS Surface Adapter (Non-ADA)	
					ASA Aluminum Surface Adapter (Non-ADA)	
					9500 Torx® Screwdriver	

▲ n/a with BPC



www.kenall.com

P: 800-4-Kenall

F: 262-891-9701

10200 55th Street Kenosha, Wisconsin 53144

When you see this image, you will know the Kenall product shown or described is designed and manufactured in the USA with components purchased from US suppliers, and meets the Buy American requirements under the ARRA. Kenall has not determined the origin of its domestically purchased components or the subcomponents thereof. May be covered by patents found at www.kenall.com/patents. Content of specification sheets is subject to change; please consult www.kenall.com for current product details. © 2016 Kenall Mfg. Co. All rights reserved.

S711D-060716

SENTINALL™

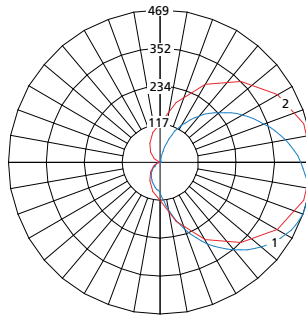
S711D SERIES (2100)

PERFORMANCE

Lamp Type	Initial Delivered Lumens		Input Power (W)	Drive Current (mA)	Estd. L70 LED Life (Hrs)
	@ 25°C	Efficacy (lm/W)			
8L35K	921	88	10	75	85,000
8L40K	921	88	10	75	85,000
8L50K	1004	96	10	75	85,000
16L35K	1829	97	19	75	65,000
16L40K	1829	97	19	75	65,000
16L50K	1994	106	19	75	65,000

Information subject to change. Visit www.kenall.com for IES files and additional information.

Model: S711D-P-MW-16L40K-DV

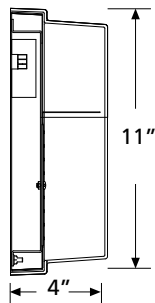


Max Candela = 469 Located At Horizontal Angle = 0, Vertical Angle = 72.5

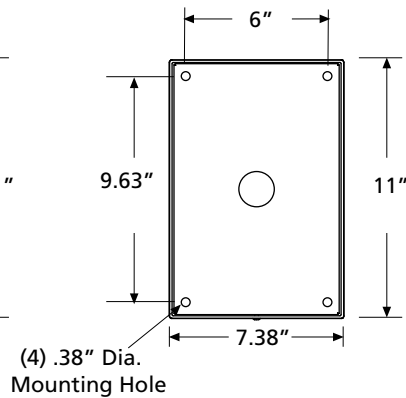
- 1 - Vertical Plane Through Horizontal Angles (0-180) (Through Max. Cd.)
- 2 - Horizontal Cone Through Vertical Angle (72.5) (Through Max. Cd.)

DIMENSIONAL DATA

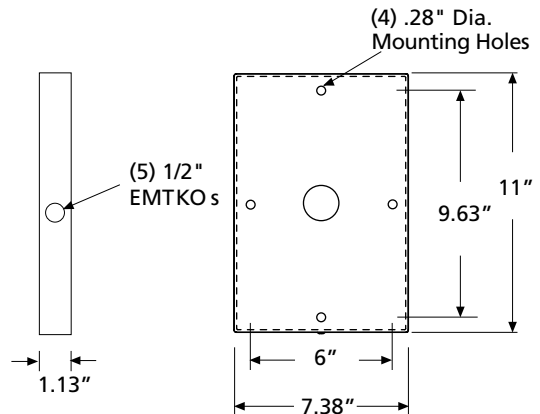
CROSS SECTION



BASEPLATE (CRS or AL)



SURFACE ADAPTER (SA/ASA)



www.kenall.com

P: 800-4-Kenall

F: 262-891-9701

10200 55th Street Kenosha, Wisconsin 53144

When you see this image, you will know the Kenall product shown or described is designed and manufactured in the USA with components purchased from US suppliers, and meets the Buy American requirements under the ARRA. Kenall has not determined the origin of its domestically purchased components or the subcomponents thereof. May be covered by patents found at www.kenall.com/patents. Content of specification sheets is subject to change; please consult www.kenall.com for current product details. © 2016 Kenall Mfg. Co. All rights reserved.