

S3-S



Three pole, two level, coding ring
Integrated clip and marking label

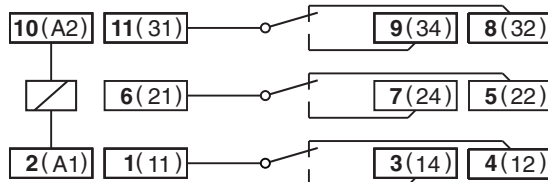
10 A 250 V

**Socket for MRC, 11-Pin Plug-In Relay Types
C3-A30, C3-G30, C3-T31, C3-X10, C3-M10,
C3-R20, C3-E24, C3-N34**

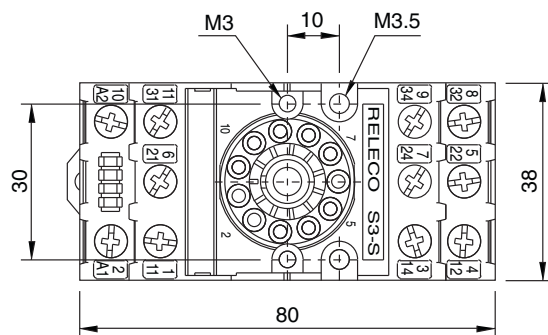
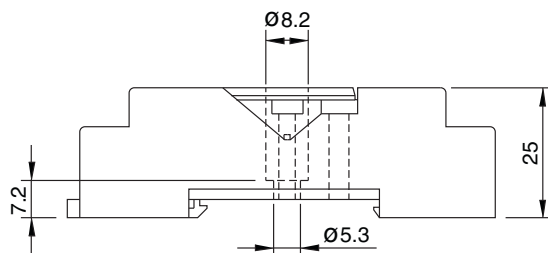
- Accepts the exclusive RELECO coding ring for coding both relay and socket.
- DIN rail or panel mountable
- Removable label
- EN/DIN and sequential numbering

According to EN 60947-1 and IEC 61810-5

Wiring Diagram



Dimensions - mm



Specifications

Nominal Load: 10 A/250 V

Insulation:

Dielectric strength, 1 minute	
Between contacts and coil	2.5 KV
Between all terminals and rail DIN	2.5 KV
Between adjacent poles	2.5 KV

Wire In-Lets Capacity:

Solid wire	4 mm ² or 2 x 2.25 mm ²
Multi-core	22-14 AWG
Ferrule tip terminals	4 mm ²
Max. screw torque	1.2 Nm
Screw dimensions	M3, Pozi
Integrated hold-down clip	
Removable marking label	

