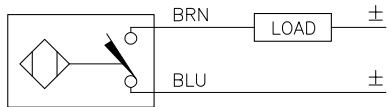


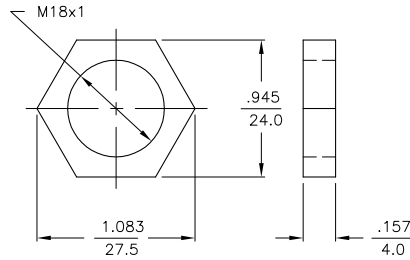
WIRING DIAGRAM

LOCKNUT LN-M18



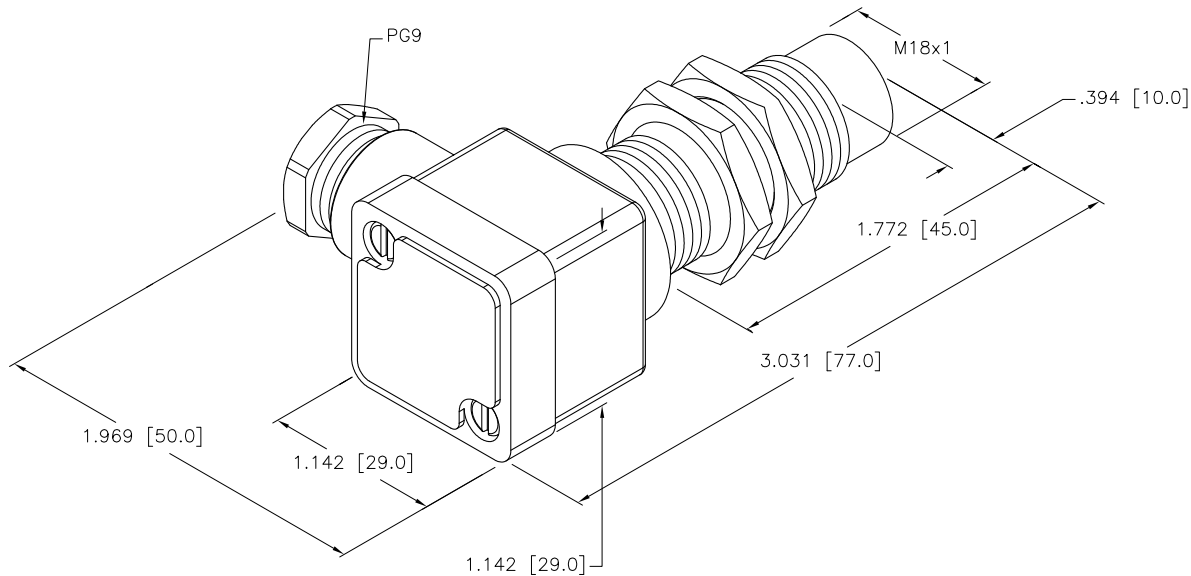
OUTPUT: AD4X

SHORT-CIRCUIT AND OVERLOAD PROTECTED


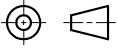


SPECIFICATIONS

RATED OPERATING DISTANCE	8mm = .315"
MOUNTING MODE	NON-FLUSH
MIN. REPEAT ACCURACY	≤ 2%
TEMPERATURE DRIFT	≤ ±10%
HYSTERESIS	1-15%
OPERATING TEMPERATURE	-25°C to +70°C (-13°F to +158°F)
RATED OPERATIONAL VOLTAGE	10-65 VDC
RESIDUAL RIPPLE	≤ 10%
DC RATED OPERATIONAL CURRENT	≤ 100 mA
RESIDUAL CURRENT	≤ 0.6 mA
RATED INSULATION VOLTAGE	≤ 0.5 kV
SHORT-CIRCUIT PROTECTION	YES
MAX. VOLTAGE DROP	≤ 5.0 V
SMALLEST OPERATING CURRENT	≥ 2.0 mA
WIRE BREAKAGE PROTECTION	INCORPORATED
REVERSE POLARITY PROTECTION	INCORPORATED
OUTPUT FUNCTION	NORMALLY OPEN, 2-WIRE
MAX. SWITCHING FREQUENCY	≤ 0.5 kHz
HOUSING MATERIAL	BRASS/CHROME PLATED
ACTIVE FACE	PLASTIC, PA12-GF30
CONNECTOR	M12x1
VIBRATION RESISTANCE	55 Hz, 1 mm AMPLITUDE (IN ALL 3 PLANES)
SHOCK RESISTANCE	30 g, 11 ms
DEGREE OF PROTECTION	IP67
SWITCHING STATUS INDICATION	LED, YELLOW



SOURCE DRAWING - FOR REFERENCE ONLY

RELATED DOCUMENTS		3RD ANGLE PROJECTION		THIS DRAWING IS CONFIDENTIAL AND THE PROPERTY OF TURCK INC. USE OF THIS DOCUMENT WITHOUT WRITTEN PERMISSION IS PROHIBITED.		 3000 CAMPUS DRIVE MINNEAPOLIS, MN 55441 1-800-544-7769 (763) 553-7300 (763) 553-0708 fax turck.com	
1.			DRFT	RDS	DATE	01/09/12	DESCRIPTION NI 8-G18SK-AD4X
2.			APVD	J.M.	SCALE	1=1.0	
3.		ALL DIMENSIONS DISPLAYED ON THIS DRAWING ARE FOR REFERENCE ONLY CONTACT TURCK FOR MORE INFORMATION	UNIT OF MEASUREMENT		IDENTIFICATION NO.		REV
4.			INCH [MILLIMETER]		T4442200		A
MATERIAL		DO NOT SCALE THIS DRAWING		FILE: T4442200		SHEET 1 OF 1	
FINISH							

A	DRAWING RELEASE	RDS	01/10/12	
REV	DESCRIPTION	BY	DATE	ECO NO.