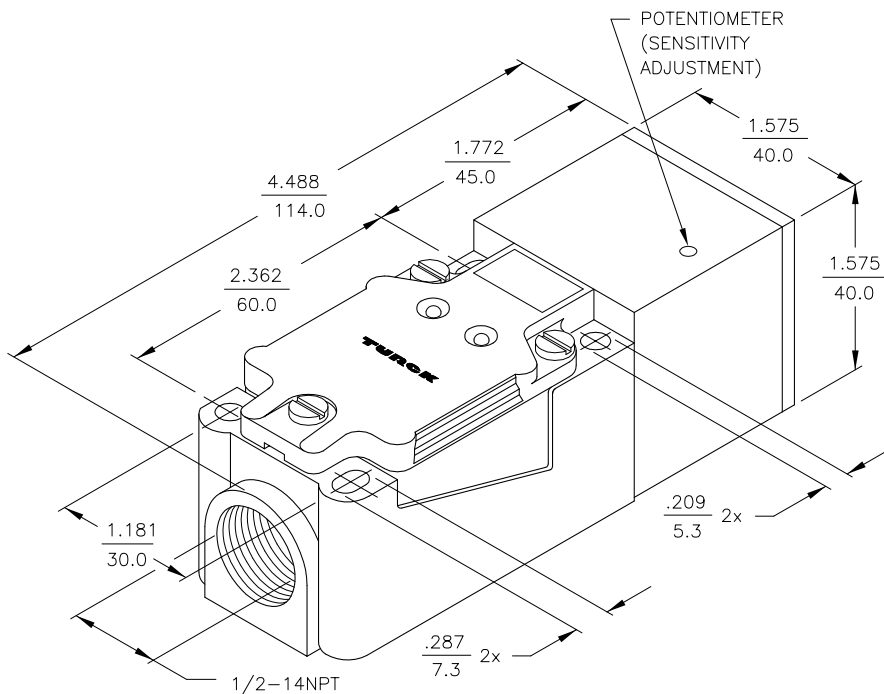
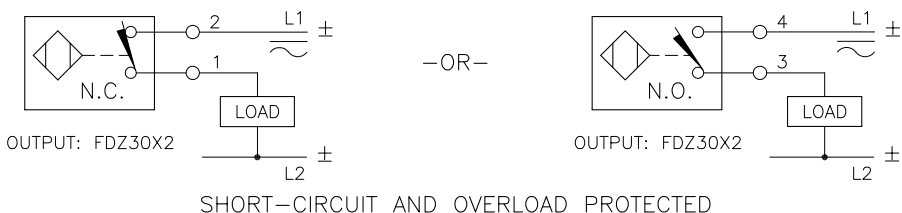


### WIRING DIAGRAMS



### SPECIFICATIONS

OPERATING VOLTAGE	20-250 VAC/DC
LINE FREQUENCY	40-60 Hz
DIFFERENTIAL TRAVEL (HYSTERESIS)	3-15% (5% TYPICAL)
VOLTAGE DROP ACROSS CONDUCTING SENSOR	≤6.0 V at 400 mA
OUTPUT FUNCTION	CONNECTION PROGRAMMABLE NORMALLY OPEN OR NORMALLY CLOSED
SHORT-CIRCUIT PROTECTED	YES
TRIGGER CURRENT FOR OVERLOAD PROTECTION	≥500 mA
CONTINUOUS LOAD CURRENT	≤400 mA
OFF-STATE (LEAKAGE) CURRENT	≤1.7 mA
MINIMUM LOAD CURRENT	≥3.0 mA
INRUSH CURRENT	≤3.0 A(≤20 ms/5 Hz)
TIME DELAY BEFORE AVAILABILITY	≤30 ms
POWER-ON EFFECT PROTECTION	INCORPORATED
PROTECTION AGAINST TRANSIENTS	5 kV, 10ms, 10 kΩ
OPERATING TEMPERATURE	-25°C to +70°C (-13°F to +158°F)
ENCLOSURE	MEETS NEMA 1, 3, 4, 6, 13 AND IEC IP67
SHOCK	30 g, 11 ms
VIBRATION	55 Hz, 1 mm AMPLITUDE (IN ALL 3 PLANES)
LED FUNCTION	GREEN = POWER ON GREEN FLASHING = SHORT-CIRCUIT WARNING RED = OUTPUT ENERGIZED
SENSING RANGE	35 mm = 1.378" (NOMINAL)
SWITCHING FREQUENCY	150 Hz
REPEATABILITY	≤2% of RATED OPERATING DISTANCE
EMBEDDABLE (SHIELDED)	NO

NOTES:

1. SENSING HEAD TURNS TO ACCOMMODATE 9 DIFFERENT SENSING POSITIONS.

RELATED DOCUMENTS 1. 2. 3. 4.	3RD ANGLE PROJECTION 	THIS DRAWING IS PROPERTY OF TURCK INC. USE OF THIS DOCUMENT WITHOUT WRITTEN PERMISSION IS PROHIBITED.		3000 CAMPUS DRIVE MINNEAPOLIS, MN 55441 1-800-544-7769 (763) 553-7300 (763) 553-0708 fax turck.com	
	MATERIAL PBT-GF30-VO PLASTIC	ALL DIMENSIONS DISPLAYED ON THIS DRAWING ARE FOR REFERENCE ONLY  CONTACT TURCK FOR MORE INFORMATION	DRFT SMW	DATE 4/20/87	DESCRIPTION Ni35-CP40-FDZ30X2
FINISH	DSGN		SCALE NONE	IDENTIFICATION NO. M4224500	
UNIT OF MEASUREMENT <b>INCH [ MILLIMETER ]</b>		DO NOT SCALE THIS DRAWING		FILE: M4224500	

C	UPDATE TO CURRENT TITLE BLOCK	RDS	09/12/02	5504
REV	DESCRIPTION	BY	DATE	ECO NO.