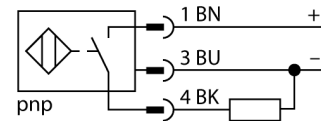


- Rectangular, height 40 mm
- Variable orientation of active face in 5 directions
- Plastic, PBT-GF30-V0
- High luminance corner LEDs
- Optimum view on supply voltage and switching state from any position
- Factor 1 for all metals
- Protection class IP68
- Resistant to magnetic fields
- Extended temperature range
- High switching frequency
- Auto-compensation protects against pre-attenuation
- DC 3-wire, 10...30 VDC
- NO contact, PNP output
- M12 x 1 male connector

Wiring Diagram

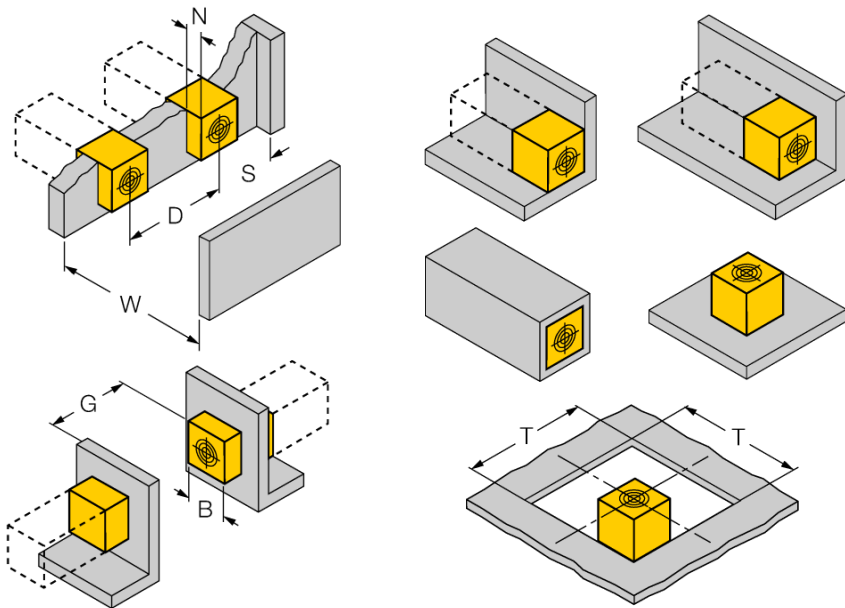


Functional principle

Inductive sensors detect metal objects contactless and wear-free. *uprox®* Factor 1 sensors have significant advantages due to their patented ferrite-coreless multicoil system. They detect all metals at the same large switching distance and are resistant to magnetic fields.

Type designation	NI25U-CK40-AP6X2-H1141
Ident no.	1625700
Rated switching distance Sn	25 mm
Mounting conditions	non-flush, partially embeddable
Assured switching distance	≤ (0,81 x Sn) mm
Repeatability	≤ 2 % of full scale
Temperature drift	≤ ± 10 %
Hysteresis	≤ ± 20 %, ≤ -25 °C v ≥ +70 °C
Ambient temperature	3...15 % -30...+85 °C
Operating voltage	10... 30VDC
Residual ripple	≤ 10 % U _{ss}
DC rated operational current	≤ 200 mA
No-load current I ₀	≤ 15 mA
Residual current	≤ 0.1 mA
Rated insulation voltage	≤ 0.5 kV
Short-circuit protection	yes/ cyclic
Voltage drop at I ₀	≤ 1.8 V
Wire breakage / Reverse polarity protection	yes/ complete
Output function	3-wire, NO contact, PNP
Protective insulation	☐
Switching frequency	0.25 kHz
Construction	rectangular, CK40
Dimensions	65 x 40 x 40 mm variable orientation of active face in 5 directions
Housing material	Plastic, PBT, black
Electrical connection	Flange connector, M12 x 1
Vibration resistance	55 Hz (1 mm)
Shock resistance	30 g (11 ms)
Protection class	IP68
MTTF	874 years acc. to SN 29500 (Ed. 99) 40 °C
Power-on indication	2 LEDs green
Switching state	LED yellow
Included in delivery	Fixing clamp BS4-CK40

Distance D	120 mm
Distance W	75 mm
Distance T	100 mm
Distance S	20 mm
Distance G	150 mm
Distance N	30 mm
<hr/>	
Width of the active face B	40 mm



up to 4-side flush mounting possible
 1-side flush mounting: $S_r = 22 \text{ mm}$
 2-side flush mounting: $S_r = 20 \text{ mm}$
 3-side flush mounting: $S_r = 17 \text{ mm}$
 4-side flush mounting: $S_r = 13 \text{ mm}$

back-mounting without reduction of the switching distance

recessed mounting with switching distance reduction possible

Accessories

Type code	Ident no.	Description	
BSS-CP40	6901318	Mounting bracket for rectangular devices; material: Polypropylene	