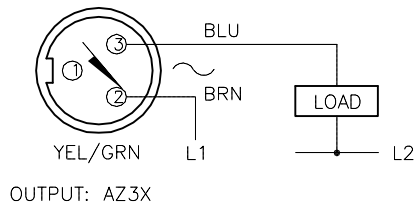
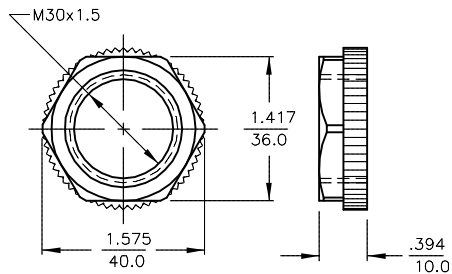


WIRING DIAGRAM



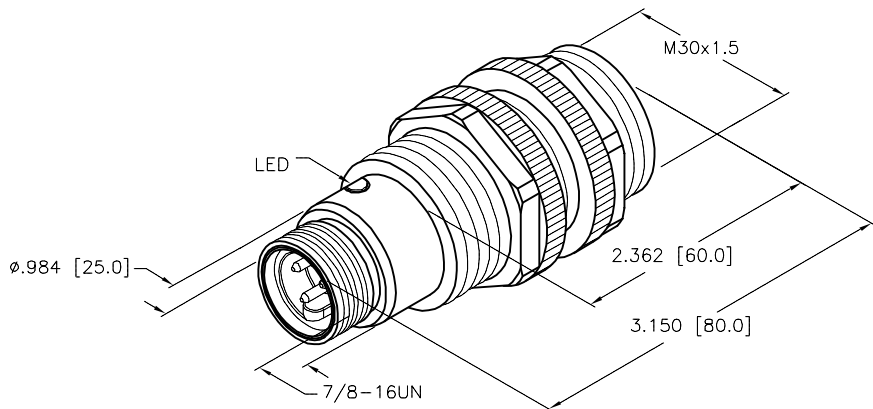
**WARNING: NO SHORT-CIRCUIT PROTECTION**  
ALWAYS WIRE A LOAD IN SERIES WITH THE SENSOR.

LOCKNUT LN-P30



SPECIFICATIONS

RATED OPERATING DISTANCE	15mm = .591" (NOMINAL)
MOUNTING MODE	NON-FLUSH
REPEATABILITY	RATED OPERATING DISTANCE
HYSTERESIS	3-15%
AMBIENT TEMPERATURE	-25°C to +70°C (-13°F to +158°F)
OPERATING VOLTAGE	20-250 VAC/10-300 VDC
CONTINUOUS LOAD CURRENT	≤ 400 mA
LINE FREQUENCY	40-60 Hz
RESIDUAL CURRENT	≤ 1.7 mA
PROTECTION AGAINST TRANSIENTS	5 kV, 10 ms, 10 kΩ
MIN. OPERATING CURRENT	≥ 5.0 mA
INRUSH CURRENT	≤ 8 A (≤ 10 ms/5 Hz)
MAX. VOLTAGE DROP	≤ 7.0 V
OUTPUT FUNCTION	NORMALLY OPEN, 2-WIRE, AC, SELF-CONTAINED
SHORT-CIRCUIT PROTECTION	NO
TIME DELAY BEFORE AVAILABILITY	≤ 20 ms
POWER-ON EFFECT PROTECTION	INCORPORATED
SWITCHING FREQUENCY	≤ 0.02 kHz
VIBRATION RESISTANCE	55 Hz (IN ALL 3 PLANES)
SHOCK RESISTANCE	30 g, 11 ms
PROTECTION DEGREE	IP67
SWITCHING STATUS INDICATION	LED; RED



**NOTE**  
**PRELIMINARY**  
**SPECIFICATIONS**

**SOURCE DRAWING - FOR REFERENCE ONLY**

RELATED DOCUMENTS 1. 2. 3. 4.	3RD ANGLE PROJECTION 	THIS DRAWING IS CONFIDENTIAL AND THE PROPERTY OF TURCK INC. USE OF THIS DOCUMENT WITHOUT WRITTEN PERMISSION IS PROHIBITED.		<b>TURCK INC</b> High Technology Sensors and Automation Controls 3000 CAMPUS DRIVE MINNEAPOLIS, MN 55441 1-800-544-7769 (763) 553-7300 (763) 553-0708 fax turck.com	
	MATERIAL	DRFT GMB	DATE 5/8/90	DESCRIPTION NI15-P30-AZ3X-B2131	
FINISH	ALL DIMENSIONS DISPLAYED ON THIS DRAWING ARE FOR REFERENCE ONLY	APVD	SCALE 1=1.5	IDENTIFICATION NO. T4375400	
CONTACT TURCK FOR MORE INFORMATION		UNIT OF MEASUREMENT <b>INCH [ MILLIMETER ]</b>		REV C	
DO NOT SCALE THIS DRAWING		FILE: T4375400		SHEET 1 OF 1	

C	UPDATE OPERATING VOLTAGE	RDS	04/02/13	41744
REV	DESCRIPTION	BY	DATE	ECO NO.