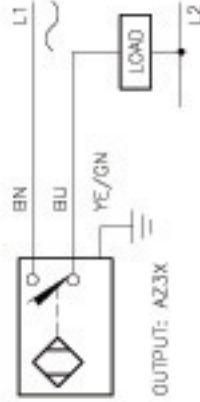
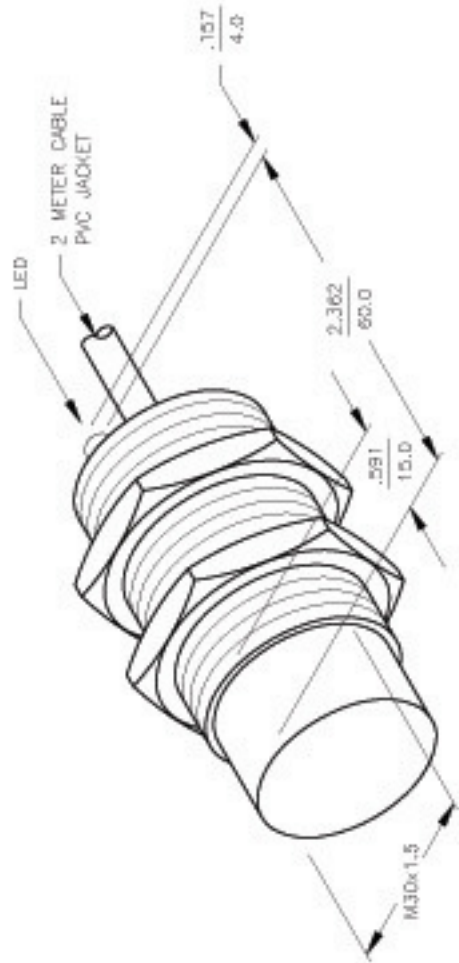
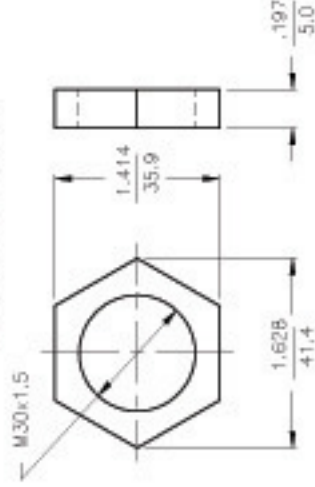


WIRING DIAGRAMS



WARNING: NO SHORT-CIRCUIT PROTECTION
ALWAYS WIRE A LOAD IN SERIES WITH THE SENSOR.

LOCKNUT LN-M30



SPECIFICATIONS

OPERATING VOLTAGE	20-250 VAC/DC
LINE FREQUENCY	40-60 Hz
DIFFERENTIAL TRAVEL (HYSTERESIS)	3-15% (5% TYPICAL)
VOLTAGE DROP ACROSS CONDUCTING SENSOR	≤ 7.0 V at 500 mA
OUTPUT FUNCTION	-AZ
SHORT-CIRCUIT PROTECTED	NO
CONTINUOUS LOAD CURRENT	≤ 500 mA
OFF-STATE (LEAKAGE) CURRENT	≤ 1.7 mA
MINIMUM LOAD CURRENT	≥ 5.0 mA
INRUSH CURRENT	≤ 8.0 A (≤ 10 ms/5 Hz)
TIME DELAY BEFORE AVAILABILITY	≤ 25 ms
POWER-ON EFFECT PROTECTION	INCORPORATED
PROTECTION AGAINST TRANSIENTS	5 kV, 10 ms, 10 kΩ
OPERATING TEMPERATURE	-25°C to +70°C (-13°F to +158°F)
ENCLOSURE	MEETS NEMA 1, 3, 4, 6, 13 AND IEC IP67
SHOCK	30 g, 11 ms
VIBRATION	95 Hz, 1 mm AMPLITUDE (IN ALL 3 PLANES)
LED FUNCTION	RED; OUTPUT ENERGIZED
SENSING RANGE	15 mm = .591" (NOMINAL)
SWITCHING FREQUENCY	20 Hz
REPEATABILITY	≤ 2% OF RATED OPERATING DISTANCE
EMBEDDABLE (SHIELDED)	NO

RELATED DOCUMENTS

- 1.
- 2.
- 3.
- 4.

MATERIAL
BRASS BARREL

FINISH
COPPER/NICKEL/
CHROME PLATING

3RD ANGLE PROJECTION



TOLERANCES UNLESS OTHERWISE SPECIFIED
 .X ±0.02
 .XX ±0.01
 .XXX ±0.005
 ANGLES ±1°
 ALL DIMENSIONS ARE DIMENSIONS UNLESS OTHERWISE SPECIFIED

THIS DRAWING IS THE PROPERTY OF TUREK INC. NO USE OF THIS DOCUMENT WITHOUT WRITTEN PERMISSION IS PROHIBITED.

DATE: 9/29/88
 DRAWN BY: GMB
 CHECKED BY: NONE

UNIT OF MEASUREMENT
INCH (MILLIMETER)
 00 NOT SCALE THIS DRAWING

DESCRIPTION
 NI15-G30-AZ3X

TUREK INC
 High Technology Sensors and Automation Controls

IDENTIFICATION NO.
 T1306000

REV C
 SHEET 1 OF 1

REV DESCRIPTION
 C UPDATE OPERATING VOLTAGE, SEE ECO
 DATE 08/09/07
 EDD NO. 18320