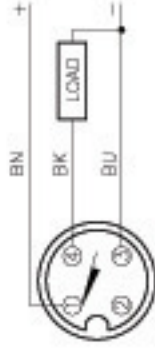


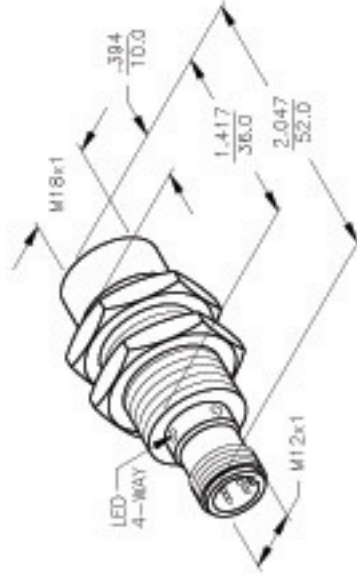
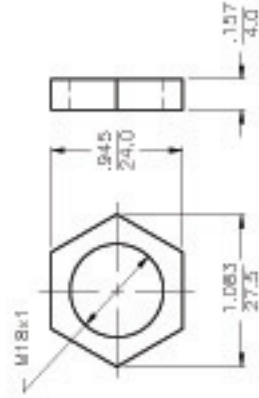
WIRING DIAGRAM



OUTPUT: AF6X

SHORT-CIRCUIT AND OVERLOAD PROTECTED

LOCKNUT LN-M18



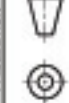
SPECIFICATIONS

OPERATING VOLTAGE	10-30 VDC
RIPPLE	≤ 10%
DIFFERENTIAL TRAVEL (HYSTERESIS)	3-15% (5% TYPICAL)
VOLTAGE DROP ACROSS CONDUCTING SENSOR	≤ 1.8 V at 200 mA
OUTPUT FUNCTION	NORMALLY OPEN 3-WIRE DC SELF-CONTAINED
SHORT-CIRCUIT PROTECTED	YES
TRIGGER CURRENT FOR OVERLOAD PROTECTION	≥ 220 mA
CONTINUOUS LOAD CURRENT	≤ 200 mA
OFF-STATE (LEAKAGE) CURRENT	≤ 0.1 mA
NO-LOAD CURRENT	≤ 15 mA
TIME DELAY BEFORE AVAILABILITY	≤ 8 ms
POWER-ON EFFECT	PER IEC 947-5-2
REVERSE POLARITY PROTECTION	INCORPORATED
WIRE-BREAK PROTECTION	INCORPORATED
PROTECTION AGAINST TRANSIENTS	Per EN 60947-5-2
OPERATING TEMPERATURE (10% DRIFT)	-25°C to +70°C (-13°F to +158°F)
OPERATING TEMPERATURE (15% DRIFT)	-30°C to +85°C (-22°F to +185°F)
ENCLOSURE	MEETS NEMA 1, 3, 4, 6, 13 AND IEC IP68
SHOCK	30 g, 11 ms
VIBRATION	55 Hz, 1 mm AMPLITUDE (IN ALL 3 PLANES)
LED FUNCTION	LED ON: OUTPUT ENERGIZED
	LED FLASHING: SHORT-CIRCUIT WARNING
RATED OPERATING DISTANCE(S)	12 mm = .472" (NOMINAL)
SWITCHING FREQUENCY	2000 Hz
REPEATABILITY	≤ 2% of RATED OPERATING DISTANCE
EMBEDDABLE (SHIELDED)	NO
MATING PLUGS/CABLES	4-PIN EUROFAST® CONSTRUCTION

RELATED DOCUMENTS

1. UNIVERSAL
2. BRASS BARREL
3. COPPER/NICKEL
4. CHROME PLATING

3RD ANGLE PROJECTION



TOLERANCES UNLESS OTHERWISE SPECIFIED:
0.0394in (1.00mm)

THIS DRAWING IS PROPERTY OF TURCK INC. USE OF THIS DOCUMENT WITHOUT WRITTEN PERMISSION IS PROHIBITED.

DATE: 07/28/99
SCALE: NONE

UNIT OF MEASUREMENT: INCH (MILLIMETER)

00 NOT SCALE THIS DRAWING

TURCK INC
High Technology Sensors and Automation Controls

DESCRIPTION: NI12U-M18-AP6X-H1141

IDENTIFICATION NO.: M1645140

REV: A

REV DESCRIPTION

A UPDATE SENSOR GEOMETRY

BY DATE

CBM 09/27/99 T3089 EDD NO.

FILE: M1645140

SHEET 1 OF 1

NOTES:

1. LUPROX HAS WELD FIELD IMMUNITY. SENSOR IS SUITABLE FOR USE ON RESISTANCE MACHINES.