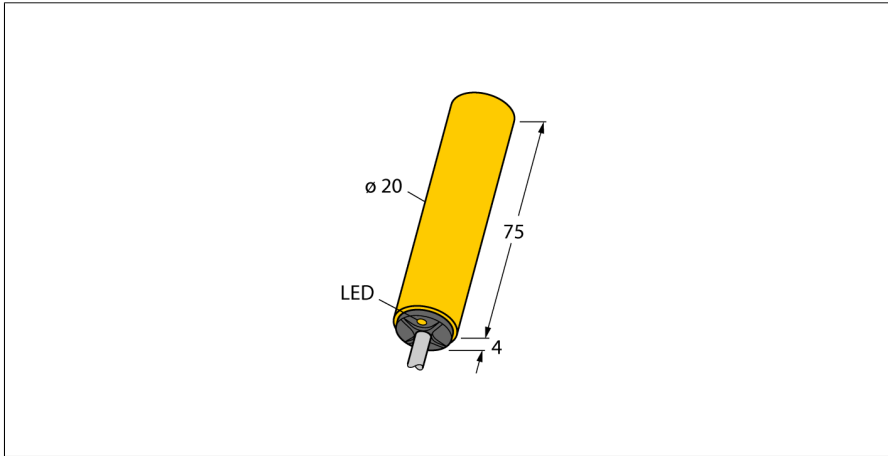


# Inductive sensor NI10-K20-AZ3X

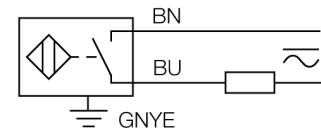
**TURCK**

Industrial  
Automation



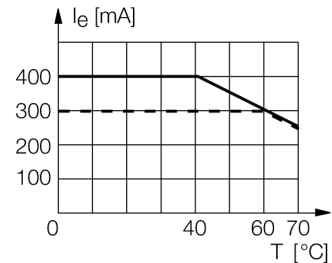
- Smooth barrel, Ø 20 mm
- Plastic, PBT-GF30-V0
- AC 2-wire, 20...250 VAC
- DC 2-wire, 10...300 VDC
- NO contact
- Cable connection

### Wiring Diagram



### Functional principle

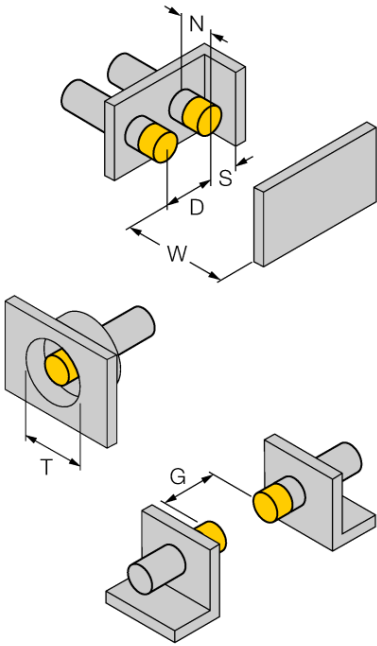
Inductive sensors detect metal objects contactless and wear-free. For this, they use a high-frequency electromagnetic AC field that interacts with the target. Inductive sensors generate this field via an RLC circuit with a ferrite coil.



<b>Type designation</b>	NI10-K20-AZ3X
Ident no.	43585
<b>Rated switching distance Sn</b>	10 mm
Mounting conditions	non-flush
Assured switching distance	≤ (0,81 x Sn) mm
Correction factors	St37 = 1; Al = 0.3; stainless steel = 0.7; Ms = 0.4
Repeatability	≤ 2 % of full scale
Temperature drift	≤ ± 10 %
Hysteresis	3...15 %
Ambient temperature	-25...+70 °C
<b>Operating voltage</b>	20...250 VAC
Operating voltage	10... 300VDC
AC rated operational current	≤ 400 mA
DC rated operational current	≤ 300 mA
Frequency	≥ 50...≤ 60 Hz
Residual current	≤ 1.7 mA
Rated insulation voltage	≤ 1.5 kV
Surge current	≤ 8 A (≤ 10 ms max. 5 Hz)
Voltage drop at I <sub>e</sub>	≤ 6 V
Output function	2-wire, NO contact
Smallest operating current I <sub>m</sub>	≥ 3 mA
Switching frequency	0.02 kHz
<b>Construction</b>	smooth barrel, 20 mm
Dimensions	79 mm
Housing material	Plastic, PBT-GF30-V0
Active area material	Plastic, PBT-GF30-V0
End cap	Plastic, EPTR
Electrical connection	cable
Cable quality	5.2 mm, LiYY, PVC, 2m
Cable cross section	2 x 0.34 mm <sup>2</sup>
Vibration resistance	55 Hz (1 mm)
Shock resistance	30 g (11 ms)
Protection class	IP67
MTTF	2283 years acc. to SN 29500 (Ed. 99) 40 °C
<b>Switching state</b>	LED red
Included in delivery	BS20

**Inductive sensor  
NI10-K20-AZ3X**

Distance D	3 x B
Distance W	3 x Sn
Distance T	3 x B
Distance S	1.5 x B
Distance G	6 x Sn
Distance N	2 x Sn
<hr/>	
Diameter of the active area B	Ø 20 mm



# Inductive sensor NI10-K20-AZ3X



## Accessories

Type code	Ident no.	Description	
BS 20	69464	Fixing clamp; material mounting block: PBT	