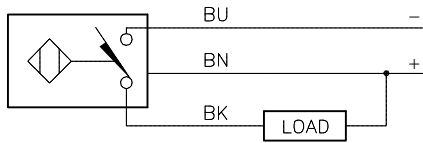


WIRING DIAGRAM

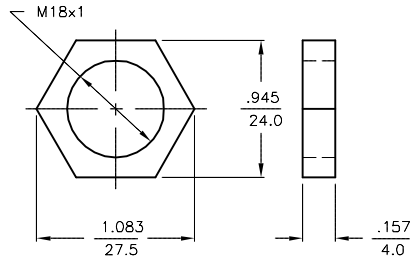
LOCKNUT LN-M18

SPECIFICATIONS

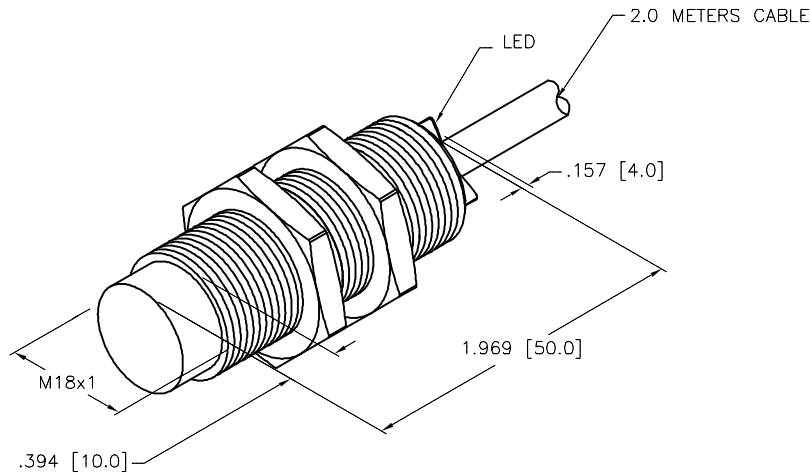


OUTPUT: AN6X

SHORT-CIRCUIT AND OVERLOAD PROTECTED



|   |  |
|---|--|
| OPERATING VOLTAGE                       | 10-30 VDC                                  |
| RIPPLE                                  | ≤ 10%                                      |
| DIFFERENTIAL TRAVEL (HYSTERESIS)        | 3-15% (5% TYPICAL)                         |
| VOLTAGE DROP ACROSS CONDUCTING SENSOR   | ≤ 1.8 V at 200 mA                          |
| OUTPUT FUNCTION                         | NORMALLY OPEN<br>3-WIRE DC SELF-CONTAINED  |
| TTL COMPATIBLE                          | NO   |
| SHORT-CIRCUIT PROTECTED                 | YES  |
| TRIGGER CURRENT FOR OVERLOAD PROTECTION | ≥ 220 mA                                   |
| CONTINUOUS LOAD CURRENT                 | ≤ 200 mA                                   |
| LEAKAGE (OFF-STATE) CURRENT             | < 10 $\mu$ A                               |
| NO-LOAD CURRENT                         | 5.5-9.5 mA                                 |
| POWER-ON EFFECT PROTECTION              | INCORPORATED                               |
| REVERSE POLARITY PROTECTION             | INCORPORATED                               |
| WIRE-BREAK PROTECTION                   | INCORPORATED                               |
| TIME DELAY BEFORE AVAILABILITY          | ≤ 8 ms                                     |
| PROTECTION AGAINST TRANSIENTS           | 2 kV, 1 ms, 1 k $\Omega$                   |
| OPERATING TEMPERATURE                   | -25°C to +70°C (-13°F to +158°F)           |
| ENCLOSURE                               | MEETS NEMA 1, 3, 4, 6, 13 AND IEC IP67     |
| SHOCK                                   | 30 g, 11 ms                                |
| VIBRATION                               | 55 Hz, 1 mm AMPLITUDE<br>(IN ALL 3 PLANES) |
| LED FUNCTION                            | RED: OUTPUT ENERGIZED                      |
| SENSING RANGE                           | 10 mm = .394" (NOMINAL)                    |
| MAX. SWITCHING FREQUENCY                | ≤ 0.5 kHz                                  |
| REPEATABILITY                           | ≤ 2% of NOMINAL SENSING RANGE              |



SOURCE DRAWING - FOR REFERENCE ONLY

|   |   |  |               |  |  |
|---|---|--|---------------|--|--|
| RELATED DOCUMENTS<br>1.<br>2.<br>3.<br>4. | 3RD ANGLE PROJECTION<br>  | THIS DRAWING IS CONFIDENTIAL AND THE PROPERTY OF TURCK INC. USE OF THIS DOCUMENT WITHOUT WRITTEN PERMISSION IS PROHIBITED. |               | <b>TURCK INC</b><br>High Technology Sensors and Automation Controls<br>3000 CAMPUS DRIVE<br>MINNEAPOLIS, MN 55441<br>1-800-544-7769<br>(763) 553-7300<br>(763) 553-0708 fax<br>turck.com |  |
|   | MATERIAL  | DRFT GMB   | DATE 09/21/88 | DESCRIPTION<br>NI10-G18-AN6X 50MM  |  |
| FINISH                                    | ALL DIMENSIONS DISPLAYED ON THIS DRAWING ARE FOR REFERENCE ONLY | APVD   | SCALE 1=1.0   | IDENTIFICATION NO.<br>T4641700   |  |
| CONTACT TURCK FOR MORE INFORMATION        |   | UNIT OF MEASUREMENT<br><b>INCH [ MILLIMETER ]</b>  |               | REV<br>C   |  |
| DO NOT SCALE THIS DRAWING                 |   | FILE: T4641700   |               | SHEET 1 OF 1   |  |

|     |  |     |          |         |
|-----|--|-----|----------|---------|
| C   | DRAWING PROCESSED AS PART OF ECO 40518 | KMY | 12/06/12 | 40518   |
| REV | DESCRIPTION                            | BY  | DATE     | ECO NO. |