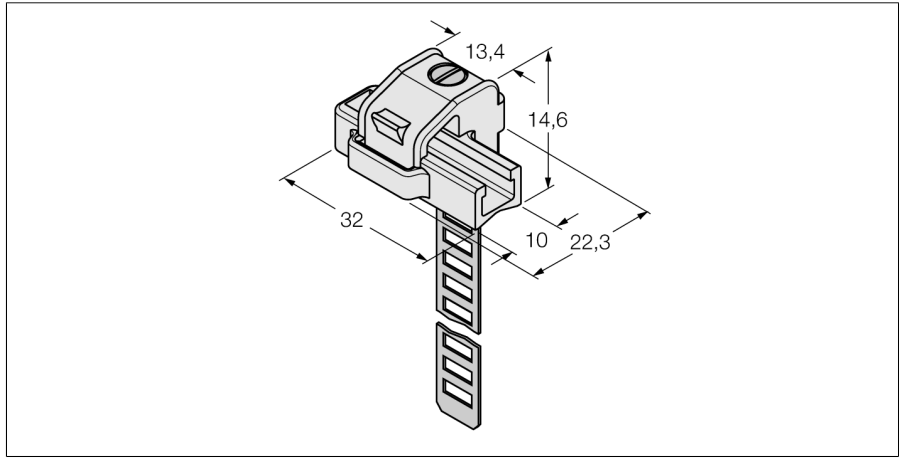


**Mounting accessories
for cylinders, tie-rod cylinders
KLRC-UNT2**



- Accessories for mounting on cylinders
- Cylinder diameter: 25...63 mm
- Material: PA 6I/6T / nickel silver
- Fire-hazard classification acc. to UL94 - V2

Type designation	KLRC-UNT2
Ident no.	6970627
Construction	accessories for rectangular types
Dimensions	32 x 22.3 x 14.6 mm
Housing material	Metal/Plastic, PA 6I/6T / nickel silver
Fixing clamp for correspondent cylinder diameter	25...63 mm