

# DLR56 800 Lumen

## 5" & 6" Recessed LED Downlight

Project \_\_\_\_\_

Date \_\_\_\_\_

Type \_\_\_\_\_

### Product Description

The DLR56 from NICOR is a 5" & 6" recessed LED downlight that is ideal for both retrofit and new construction alike. Redesigned to boost energy efficiency, the LED light engine draws only 12 watts while producing over 800 lumens. The enriched 90+ CRI provides superior color quality, along with an R9 greater than 50\*. Not only is the light quality better, but this design improvement meets new industry standards like Title 24 and CEC.

#### Construction

- Spun aluminum trim routes heat away from electrical components
- Low profile, integrated driver, allows for use in shallow housings

#### Optical System

- Polystyrene diffuser and reflector cone create a uniform light distribution that reduces glare without sacrificing lumen output

#### Electrical

- Utilizes high performing LEDs with greater than 90 CRI and an R9 greater than 50\*
- Dimmable to 10% with most standard triac dimmers
- Operating temperature rating of 0°F to 120°F (-18°C to 49°C)
- Input voltage of 120V
- Lifetime rated for greater than 53,000 hours
- LM-79, LM-80 testing performed in accordance with IESNA standards

#### Finish

- Exterior white powder coat finish, with interior high reflective finish
- Also available in Black, Oil-Rubbed Bronze and Nickel

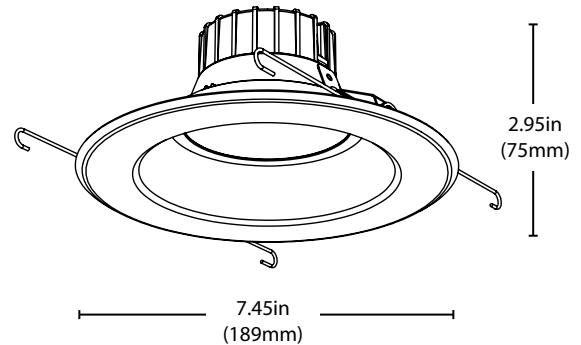
#### Installation

- Compatible with most 5" and 6" recessed housings
- Quick and easy installation with a screw-in Edison base (GU24 socket string available) and torsion spring mounting system

#### Warranty

- 5-year limited system warranty standard

\* not available in 5000K



### PRODUCT INFORMATION

LED Lifetime:	53,000 Hours
Input Voltage:	120V
Power Draw:	12W
Fixture Height:	2.95in (75mm)
Trim Width:	7.45in (189mm)



### Ordering Information

Example: DLR56-3008-120-3K-WH

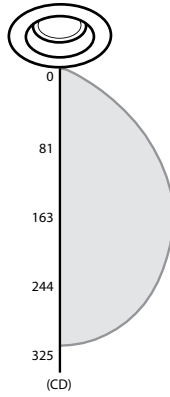
Series	Version	Voltage	CCT's	Trim Color
DLR56	3008 (v 3.0)	120 (V)	2K (2700)	WH (white)
			3K (3000)	WH-BF (white baffle)**
			4K (4000)	BK (black)*
			5K (5000)	NK (nickel)*
				OB (oil-rubbed bronze)*

\*Standard option in 3K, only available as special order for 2K, 4K and 5K. Contact NICOR for more info. \*\*Only available in 2K and 3K

# Photometric Data

## DLR56 800lm 2700K

Luminaire	2700K
Input Voltage (VAC)	120
System Level Power (W)	12
Delivered Lumens (Lm)	798
System Efficacy (Lm/W)	66.5
Correlated Color Temp (K)	2867
Color Rendering Index (CRI)	91

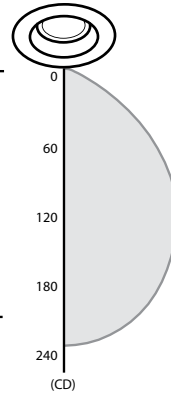


### Zonal Lumen Summary

Zone	Lumens	% of Luminaire
0-30	238	30%
0-40	386	48%
0-60	647	81%
0-90	798	100%
90-180	0	0%
0-180	798	100%

## DLR56 800lm 3000K

Luminaire	3000K
Input Voltage (VAC)	120
System Level Power (W)	12
Delivered Lumens (Lm)	806
System Efficacy (Lm/W)	67.2
Correlated Color Temp (K)	3067
Color Rendering Index (CRI)	91

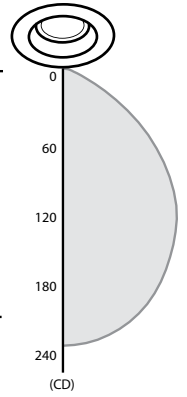


### Zonal Lumen Summary

Zone	Lumens	% of Luminaire
0-30	240	30%
0-40	390	48%
0-60	654	81%
0-90	806	100%
90-180	0	0%
0-180	806	100%

## DLR56 800lm 4000K

Luminaire	4000K
Input Voltage (VAC)	120
System Level Power (W)	12
Delivered Lumens (Lm)	806
System Efficacy (Lm/W)	67.2
Correlated Color Temp (K)	4050
Color Rendering Index (CRI)	91

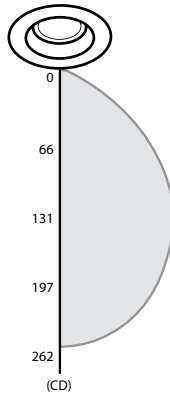


### Zonal Lumen Summary

Zone	Lumens	% of Luminaire
0-30	240	30%
0-40	390	48%
0-60	654	81%
0-90	806	100%
90-180	0	0%
0-180	806	100%

## DLR56 800lm 5000K

Luminaire	5000K
Input Voltage (VAC)	120
System Level Power (W)	12
Delivered Lumens (Lm)	879
System Efficacy (Lm/W)	73.3
Correlated Color Temp (K)	5015
Color Rendering Index (CRI)	91



### Zonal Lumen Summary\*\*

Zone	Lumens	% of Luminaire
0-30	262	30%
0-40	426	48%
0-60	714	81%
0-90	879	100%
90-180	0	0%
0-180	879	100%