

BR40 Series

LED Reflector Lamps

Product Description

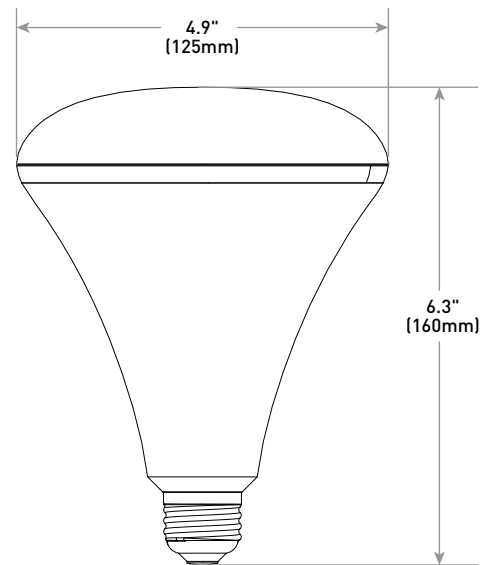
At Cree®, we believe in better lighting. Better light is beautiful light. But it's more than just beautiful. It is light that makes you feel more productive, more relaxed and safer. Better light changes everything. That's why the new and improved Cree LED bulbs feature high color rendering that enhances your space and makes the colors of your décor appear vibrant, richer and more natural – true colors the way they are meant to be experienced.

The Cree LED BR40 flood light casts a beautiful light that looks and lights like the incandescent bulbs you love. Dimmable with most standard dimmers, Cree LED BR40 flood lights shine wide and bright, while using at least 85% less energy and are designed to deliver up to 25,000 hours of light for your home or business. The perfect replacement for incandescent bulbs in track and recessed fixtures at a price you can afford, Cree LED bulbs pay for themselves quickly and then pay you year after year.

Performance Summary

Lamp Delivered Light Output: 1,120 lumens
Input Power: 12.0-12.5 watts (85W equivalent)
CRI: 85
CCT: 2700K, 5000K
Limited Warranty*: 5 years Commercial use
Lifetime: Designed to last at least 25,000 hours
Dimming: Dimmable to 5% with select dimmers
ENERGY Star® Certified
Must order in multiples of master carton (MC) quantities; MC = (3) Blister Packs (3 Total Lamps)

*See <http://lighting.cree.com/warranty> for warranty terms



Ordering Information

Example: BR40-85W-27K-B1

BR40	85W					B1
Product	Watt Equivalent	CCT	Voltage	Base	CRI	Packaging Options
BR40	85W 85 Watt, 1,120 lumens	27K 2700K 50K 5000K	Blank 120 Volt	Blank E26 (screw base)	Blank 85	B1 (1) Blister Pack; MC = (3) Blister Packs (3 Total Lamps)



US: lighting.cree.com/lighting

T (800) 236-6800 F (262) 504-5415

Rev. Date: V4 09/14/2016

Canada: www.cree.com/canada



T (800) 473-1234 F (800) 890-7507

BR40 Series LED Reflector Lamps

Product Specifications

CONSTRUCTION & MATERIALS

- BR40 reflector bulb design weighs 6.9 ounces (195g)
- Reflector bulb meets ANSI standards for BR40 dimensions
- Uses a standard E26 screw base
- Mercury free

OPTICAL SYSTEM

- Plastic globe offers increased optical spread

ELECTRICAL SYSTEM

- **Power Factor:** > 0.9 nominal
- **Input Voltage:** 120V, 60Hz
- **Dimming:** Dimmable to 5% with select dimmers. Refer to <https://www.creelink.com/viewcontent.asp?qv=1&docid=5344> for additional details
- **Operating Temperature Range:** -25°C - +45°C (-13°F - +113°F)

REGULATORY & VOLUNTARY QUALIFICATIONS

- cULus Listed
- Suitable for damp locations, but not for use where exposed directly to weather or water
- Suitable for use in enclosed light fixtures. Lifetime may be reduced if used in air tight enclosures or in insulated ceiling air tight (ICAT) recessed downlight enclosures
- Meets FCC Part 15, Subpart B, Class B standards for conducted and radiated emissions
- ENERGY STAR® certified. Please refer to <http://www.energystar.gov/productfinder/product/certified-light-bulbs/> results for most current information
BR40-85W-27K-B1: SBR40-11027FLFD-12DE26-1
BR40-85W-50K-B1: SBR40-11050FLFD-12DE26-1
- RoHS compliant. Consult factory for additional details

Packaging

(3) Blister Packs in Master Carton (3 Total Lamps)



Ordering Number	Product Number	Blister Pack UPC	Description	Bulb Type	Watts	CCT	Blister Packs per Master Carton	Master Carton ITF-14	Total Lamps per Master Carton	Master Cartons per Pallet Qty*	CRI	Lumens	Rated Life (Hrs)
BR40-85W-27K-B1	SBR40-11027FLFD-12DE26-1-11003S0	849665011705	85W Soft White BR40 Equivalent	BR40	12.5	2700K	3	10849665011702	3	50	85	1,120	25,000
BR40-85W-50K-B1	SBR40-11050FLFD-12DE26-1-11003S0	849665011729	85W Daylight BR40 Equivalent	BR40	12.0	5000K	3	10849665011726	3	50	85	1,120	25,000

* 150 Bulbs per pallet