

B13 Series

LED Lamps

Product Description

At Cree®, we believe in better lighting. Better light is beautiful light. But it's more than just beautiful. It is light that makes you feel more productive, more relaxed and safer. Better light changes everything. That's why the new and improved Cree LED bulbs feature high color rendering that enhances your space and makes the colors of your décor appear vibrant, richer and more natural – true colors the way they are meant to be experienced.

The Cree® LED B13 Series bulbs deliver up to 345 lumens of soft white 2700K light while consuming at least 88% less energy than the incandescent bulbs they replace. These lamps feature a consistent and balanced light source, turn on instantly, and are compatible with most standard incandescent dimmers; no buzz, no hum. The Cree® LED B13 Series bulbs are ENERGY STAR® certified and are designed to last 25,000 hours.

Performance Summary

Lamp Delivered Light Output: 240-345 lumens

Input Power: 3.1 watts (25W equivalent); 5.0 watts (40W equivalent)

CRI: 90+

CCT: 2700K; 2700K-1800K Dimming

Limited Warranty*: 5 years Commercial use

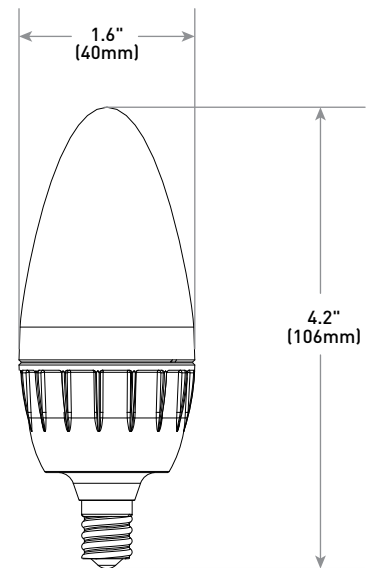
Lifetime: Designed to last at least 25,000 hours

Dimming: Dimmable to 5% with select dimmers

ENERGY STAR® Certified

Must order in multiples of master carton (MC) quantities; MC = (8) 2-Lamp Multi-Packs (16 Total Lamps)

*See <http://lighting.cree.com/warranty> for warranty terms



Ordering Information

Example: B13-25W-27K-CLD-M2

B13		27K				CLD	M2
Product	Watt Equivalent	CCT	Voltage	Base	CRI	Controls/Dimming	Packaging
B13	25W 25 Watt, 240 lumens 40W 40 Watt, 345 lumens	27K 2700K	Blank 120 Volt	Blank E12 (candelabra base)	Blank 90+	CLD Candlelight Dimming	M2 (1) 2-Lamp Multi-Pack; MC = (8) 2-Lamp Multi-Packs (16 Total Lamps)



Rev. Date: V2 09/14/2016

US: lighting.cree.com/lighting

T (800) 236-6800 F (262) 504-5415

Canada: www.cree.com/canada



T (800) 473-1234 F (800) 890-7507

B13 Series LED Lamps

Product Specifications

CONSTRUCTION & MATERIALS

- B13-type bulb design weighs 2.4 ounces (68g)
- Bulb meets ANSI standards for B13 dimensions
- Uses a standard E12 candelabra base
- Mercury free

OPTICAL SYSTEM

- Plastic B13 offers decorative optical spread

ELECTRICAL SYSTEM

- **Power Factor:** > 0.9 nominal
- **Input Voltage:** 120V, 60Hz
- **Dimming:** Dimmable to 5% with select dimmers. Refer to <https://www.creelink.com/viewcontent.asp?qv=1&docid=5344> for additional details
- **Operating Temperature Range:** -25°C - +45°C (-13°F - +113°F)

REGULATORY & VOLUNTARY QUALIFICATIONS

- cULus Listed
- Suitable for damp locations, but not for use where exposed directly to weather or water
- Do not use in multi-bulb enclosed fixtures together with other bulb technologies (e.g. incandescent, halogen, CFL, etc.)
- Meets FCC Part 15, Subpart B, Class B standards for conducted and radiated emissions
- ENERGY STAR® certified. Please refer to <http://www.energystar.gov/productfinder/product/certified-light-bulbs/> results for most current information
B13-25W-27K-CLD-M2: SB13-02427MDCH-12GE12-1-12
B13-40W-27K-CLD-M2: SB13-03427MDCH-12GE12-1-12
- RoHS compliant. Consult factory for additional details

Packaging

(8) 2-Lamp Multi-Packs in Master Carton (16 Total Lamps)



Ordering Number	Product Number	2-Lamp Multi-Pack UPC	Description	Bulb Type	Watts	CCT	2-Lamp Multi-Packs per Master Carton	Master Carton ITF-14	Total Lamps per Master Carton	Master Cartons Per Pallet Qty	CRI	Lumens	Rated Life (Hrs)
B13-25W-27K-CLD-M2	SB13-02427MDCH-12GE12-1-12008S0	849665012139	25W Soft White E12 Equivalent	B13	3.1	2700K	8	10849665012136	16	560	90+	240	25,000
B13-40W-27K-CLD-M2	SB13-03427MDCH-12GE12-1-12008S0	849665012153	40W Soft White E12 Equivalent	B13	5.0	2700K	8	10849665012150	16	560	90+	345	25,000