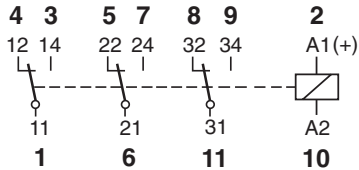




**Relay compatible with sockets:**

S3-B, S3-S, S3-MP, S3-MS, S3-L, S3-PO



# C3-A30



General purpose  
Three pole, change-over contacts

**10 A 250 V AC1      0.5 A 110 V DC1**  
**10 A 30 V DC1      0.5 A 220 V DC1**

### Contacts

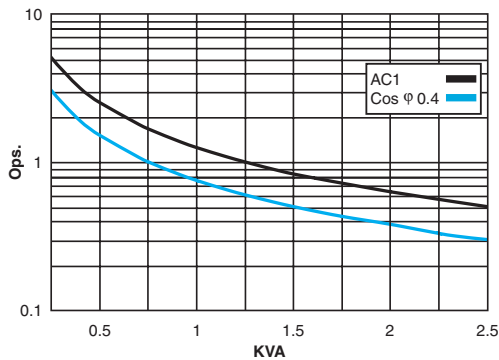
Materials: Standard, code 0      AgNi  
Optional, code 8      AgNi + 10µ Au  
Max. switching current      10 A  
Max. peak inrush current (20 ms)      30 A  
Max. switching voltage      250 V  
Max. AC load (Table 1)      2.5 KVA  
Max. DC load (Table 2)

### Coils (Ohms ±10% @ 20°C)

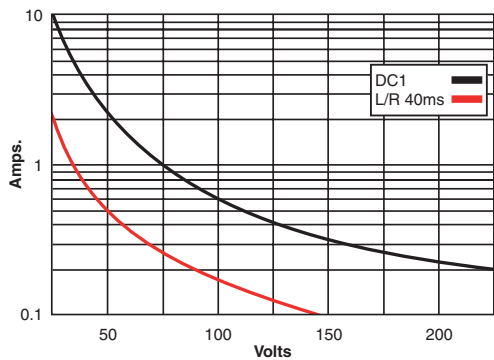
Pull-in voltage      ≤0.8 x U<sub>n</sub>  
Drop-out voltage      ≥0.1 x U<sub>n</sub>  
Nominal coil power      2.2 VA (AC)/1.3 W (DC)

VAC	Ω	mA	VDC	Ω	mA
24	67	92	24	433	54
48	296	46	48	1K8	27
115	1K7	19	110	9K2	12
230	7K1	9.5	220	36K1	6

**Table 1** Electrical Life, ops. x 10<sup>6</sup>



**Table 2** Max. DC Load



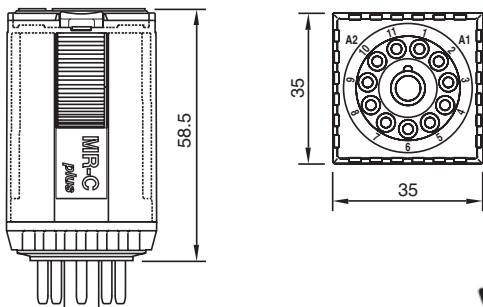
### Insulation

Dielectric strength (1 minute): Open contacts      1,000 V  
Between adjacent poles      2.5 KV  
Between contacts and coil      2.5 KV  
Isolation resistance at 500 V      ≥3 GΩ  
Isolation, IEC 61810-5:      2.5 KV/3

### Specifications

Operate time + bounce time      16 ms  
Release time + bounce time      8 ms  
Ambient temperature      -40°C (no ice) to +70°C  
Mechanical life ops.      10 Mill. AC, 20 Mill. DC relays  
Electrical life at nominal load      100,000 ops.  
Operating frequency at nominal load      1,200/hour  
Protection degree      IP 40/RT1  
Weight avg.      95 g

### Dimensions - mm



### Standard Types

**AC 50 Hz, (60 Hz): 24, 48, 115, (120), 230, (240)**  
X = LED (standard)      C3-A30X.....VAC  
RC suppressor      C3-A30R.....VAC

**DC 24, 48, 110, 220**  
X = LED, no polarity (standard)      C3-A30X..... VDC  
Free-wheeling diode      C3-A30DX .... VDC  
Polarity and free-wheeling diodes      C3-A30FX..... VDC  
AC/DC bridge rectifier (24 or 48 V)      C3-A30BX .... VDC