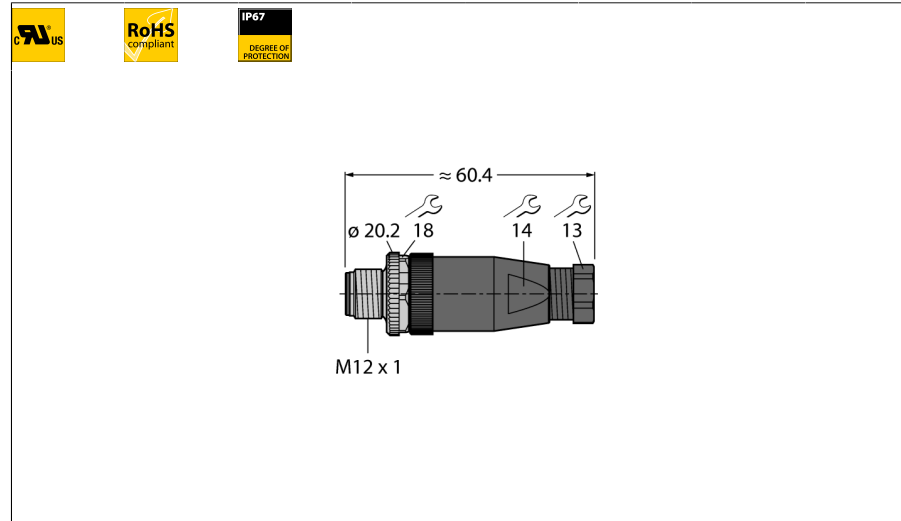
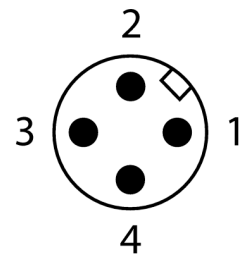


**Round connector M12 x 1  
male, straight, customizable  
BS8141-0**



- Metal coupling nut
- Protection class IP67
- UL approval
- Screw-clamp terminal
- 4-pin
- PG7 screw-in thread
- Cable bushing 4.0 ... 6.0 mm

**Pin Assignment**



<b>Type designation</b>	BS8141-0
Ident no.	69010
<b>Connector A side</b>	
Field-wireable connector, M12 x 1, straight	
Number of Pins	4
Contacts	Brass, CuZn, Optalloy-coated
Contact carriers	Plastic, PA, Black
Grip	Plastic, PA, black
Coupling nut/screw	Die-cast zinc, GD-Zn, nickel-plated
Seal	plastic
Screw-in thread seal	plastic, FPM/FKM
Screw-in thread	PG7
External diameter of the cable	min. 4... 6mm
Core cross-section/Clamping ability	0.14...0.75mm <sup>2</sup>
Connection mode	Screw terminal
Mechanical lifespan	> 100 mating cycles
Pollution degree	3
Protection class	IP67, (screwed together)
<b>Electrical features at +20 °C</b>	
Rated Voltage	250 V
Ampacity	4 A
Insulation resistance	≥ 10 <sup>9</sup> Ω
Forward resistance	≤ 8 mΩ
<b>Mechanical and chemical properties</b>	
Ambient temperature	
Stationary	-40...+85°C
<b>Approvals</b>	
	UL