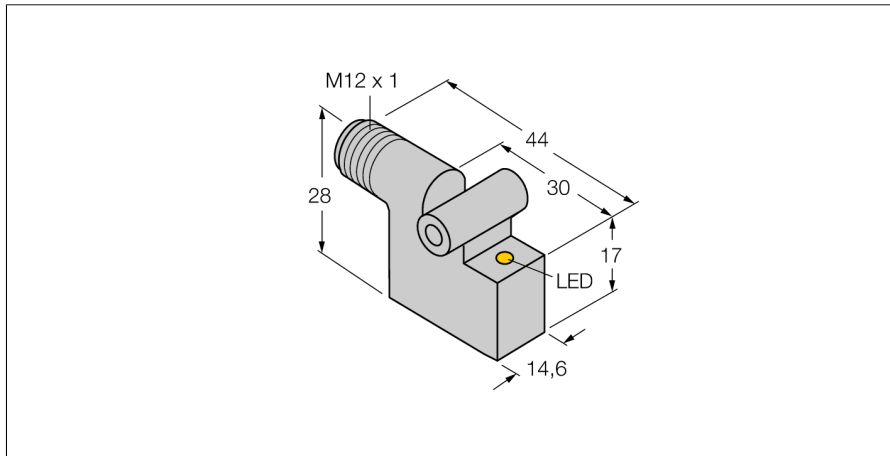
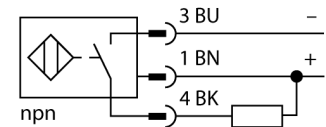


# Magnetic field sensor for pneumatic cylinders BIM-IKE-AN6X-H1141 W/KLI-3



- Rectangular, height 28 mm
- Metal, GD-Zn
- Magnetic-inductive sensor
- DC 3-wire, 10...30 VDC
- NO contact, NPN output
- M12 x 1 connector

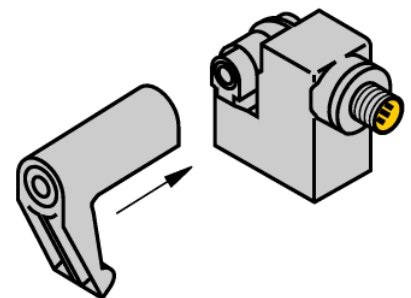
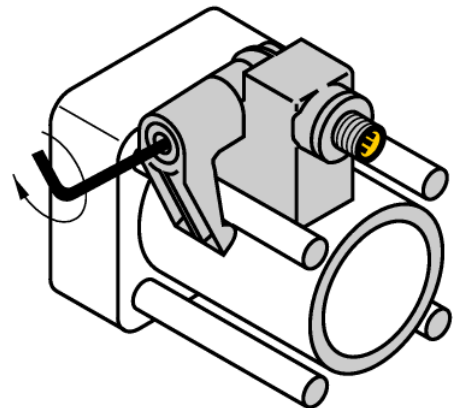
### Wiring Diagram



<b>Type code</b>	BIM-IKE-AN6X-H1141 W/KLI-3
Ident-No.	4621790
Ident-No (TUSA)	S4621790
<b>Pass speed</b>	≤ 10 m/s
Repeatability	≥ ± 0.1 mm
Temperature drift	≤ 0.1 mm
Hysteresis	≤ 1 mm
Ambient temperature	-25...+70 °C
<b>Operating voltage</b>	10... 30VDC
Residual ripple	≤ 10 % U <sub>s</sub>
DC rated operational current	≤ 200 mA
No-load current I <sub>0</sub>	≤ 15 mA
Residual current	≤ 0.1 mA
Rated insulation voltage	≤ 0.5 kV
Short-circuit protection	yes/ cyclic
Voltage drop at I <sub>0</sub>	≤ 1.8 V
Wire breakage / Reverse polarity protection	yes/ complete
Output function	3-wire, NO contact, NPN
Switching frequency	1 kHz
<b>Construction</b>	Rectangular, IKE
Dimensions	30 x 14.6 x 28 mm
Housing material	Metal, GD-Zn
Active area material	Plastic, PA12-GF30
Connection	Flange connector, M12 x 1
Vibration resistance	55 Hz (1 mm)
Shock resistance	30 g (11 ms)
Protection class	IP67
MTTF	2283 years acc. to SN 29500 (Ed. 99) 40 °C
Mounting on the following profiles	.
Cylindrical design	
<b>Switching state</b>	LED yellow
Included in delivery	KLI3

### Functional principle

Magnetic field sensors are activated by magnetic fields and are especially suited for piston position detection in pneumatic cylinders. Based on the fact that magnetic fields can permeate non-magnetizable metals, it is possible to detect a permanent magnet attached to the piston through the aluminium wall of the cylinder.



**Magnetic field sensor  
for pneumatic cylinders  
BIM-IKE-AN6X-H1141 W/KLI-3**



**Magnetic field sensor  
for pneumatic cylinders  
BIM-IKE-AN6X-H1141 W/KLI-3**


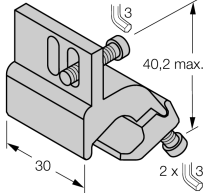



**Accessories**

Type code	Ident-No.	Description	
KLF-5Z	6971803	Mounting on  tie-rod cylinders; cylinder diameter 32...63 mm; material: Aluminium	
KLI-6Z	6971806	Mounting on  tie-rod cylinders; cylinder diameter 50...125 mm; material: Aluminium	
KLI-6	6971805	Mounting on  profile cylinder; cylinder diameter 50...100 mm; material: Aluminium	
KLI 7 KLEMMSTÜCK	6971810	Mounting on  profile cylinder with external dovetail grooves; diameter 32...200 mm; material: Aluminium	
KLF-3	69710	Mounting on  tie-rod cylinders; cylinder diameter 32...100 mm; material: Die-cast zinc	

**Magnetic field sensor  
for pneumatic cylinders  
BIM-IKE-AN6X-H1141 W/KLI-3**

**Accessories**

Type code	Ident-No.	Description	
KLF-5	6971802	Mounting on  profile cylinder; cylinder diameter 32...50 mm; material: Aluminium	
KLF-4	69712	Mounting on  tie-rod cylinders; cylinder diameter 63...160 mm; material: Die-cast zinc	