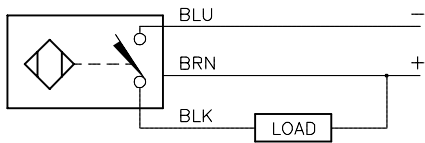


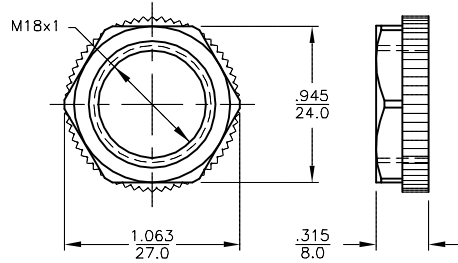
WIRING DIAGRAM



OUTPUT: AN7X

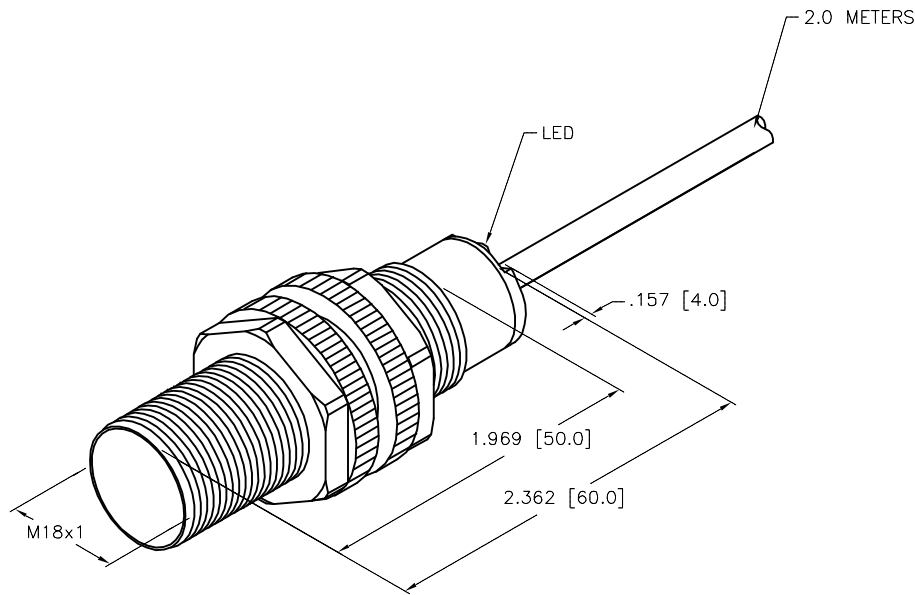
WARNING: NO SHORT-CIRCUIT OR OVERLOAD PROTECTION. ALWAYS WIRE A LOAD IN SERIES WITH THE SENSOR.

LOCKNUT LN-P18



SPECIFICATIONS

RATED OPERATING DISTANCE	5mm = .197"
MOUNTING MODE	FLUSH
HYSTERESIS	3-15%
REPEATABILITY	≤ 2%
TEMPERATURE DRIFT	≤ ±10%
OPERATING TEMPERATURE	-25°C to +100°C (-13°F to +212°F)
RATED OPERATING VOLTAGE	10-30 VDC
MAX. RIPPLE	≤ 10%
RATED OPERATIONAL CURRENT	≤ 200 mA
NO-LOAD CURRENT	≤ 10 mA
RESIDUAL CURRENT	≤ 0.1 mA
MAX. SWITCHING FREQUENCY	≤ 0.5 kHz
RATED INSULATION VOLTAGE	≤ 0.5 kV
OUTPUT FUNCTION	3-WIRE DC, NORMALLY OPEN, NPN
SHORT-CIRCUIT PROTECTION	NO
MAX. VOLTAGE DROP	≤ 1.0 V
REVERSE POLARITY PROTECTION	INCORPORATED
WIRE-BREAK PROTECTION	INCORPORATED
HOUSING MATERIAL	PLASTIC, PBT-GF30-V0
ACTIVE FACE	PLASTIC, PBT-GF30-V0
CABLE	ø5.2, PVC
VIBRATION RESISTANCE	55 Hz, 1 mm AMPLITUDE (IN ALL 3 PLANES)
SHOCK RESISTANCE	30 x g (11 ms)
DEGREE OF PROTECTION	IP67
SWITCHING STATUS INDICATION	LED, YELLOW



SOURCE DRAWING - FOR REFERENCE ONLY

NOTES:

1. "/S100" DESIGNATES HIGH RATED OPERATING TEMPERATURE OF +100°C (212°F).

RELATED DOCUMENTS 1. 2. 3. 4.	3RD ANGLE PROJECTION 	THIS DRAWING IS CONFIDENTIAL AND THE PROPERTY OF TURCK INC. USE OF THIS DOCUMENT WITHOUT WRITTEN PERMISSION IS PROHIBITED.		3000 CAMPUS DRIVE MINNEAPOLIS, MN 55441 1-800-544-7769 (763) 553-7300 (763) 553-0708 fax turck.com	
	MATERIAL SEE SPECIFICATIONS	ALL DIMENSIONS DISPLAYED ON THIS DRAWING ARE FOR REFERENCE ONLY CONTACT TURCK FOR MORE INFORMATION	DRFT RDS DATE 02/06/12	DESCRIPTION BI 5-S18-AN7X/S100	
FINISH	APVD J.M. SCALE 1=1.0		IDENTIFICATION NO. T1773400		REV B
DO NOT SCALE THIS DRAWING		FILE: T1773400		SHEET 1 OF 1	

B	UPDATE TO NO SHORT CIRCUIT OR OVERLOAD PROTECTION	KMY	11/06/13	43910
REV	DESCRIPTION	BY	DATE	ECO NO.