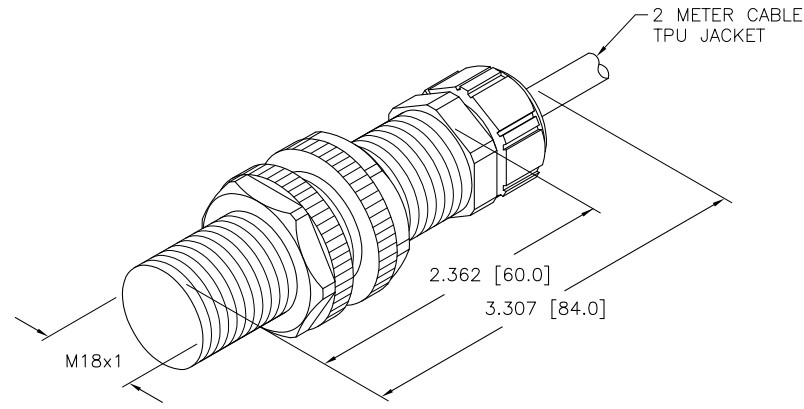


SPECIFICATIONS

OPERATING VOLTAGE	10-30 VDC
RIPPLE	<=10%
DIFFERENTIAL TRAVEL (HYSTERESIS)	3-15% (5% TYPICAL)
VOLTAGE DROP ACROSS CONDUCTING SENSOR	≤ 1.8V at 200mA
OUTPUT FUNCTION	NORMALLY OPEN 3-WIRE DC SELF-CONTAINED
TTL COMPATIBLE	NO
SHORT-CIRCUIT PROTECTED	YES
TRIGGER CURRENT FOR OVERLOAD PROTECTION	>=200 mA
CONTINUOUS LOAD CURRENT	<=200 mA
OFF-STATE (LEAKAGE) CURRENT	<10 uA
NO LOAD CURRENT	<=15 mA
TIME DELAY BEFORE AVAILABILITY	<=8 ms
POWER-ON EFFECT PROTECTION	Per IEC 947-5-2
REVERSE POLARITY PROTECTION	INCORPORATED
WIRE-BREAK PROTECTION	INCORPORATED
TRANSIENT PROTECTION	Per EN 60947-5-2, LEVEL 2
OPERATING TEMPERATURE (10% TEMP. DRIFT)	-25°C to +70°C (-13°F to +158°F)
OPERATING TEMPERATURE (15% TEMP. DRIFT)	-30°C to +85°C (-22°F to +185°F)
ENCLOSURE	MEETS NEMA 4, 4X, 6, 6P, 13 AND IEC IP68
SHOCK	30 g, 11 ms
VIBRATION	55 Hz, 1 mm AMPLITUDE (IN ALL 3 PLANES)
REPEATABILITY	<=2% OF RATED OPERATING DISTANCE
RATED OPERATING DISTANCE	5.0 mm = .196" (NOMINAL)
SWITCHING FREQUENCY	1000 Hz
SHIELDED	YES



NOTES:

- MATERIAL:  
BARREL - POM PLASTIC (POLYOXYMETHYLANE).  
NUTS - POLYIMIDE 6 WITH GF30 (GLASS FIBER) FILLER.  
CABLE - "/S90" TPU .
- "/S90" DESIGNATES SENSORS MADE WITH TPU CABLE .
- "/S139" DESIGNATES SPECIAL PLASTIC HOUSING, SPECIAL CALIBRATION.
- SENSOR OPERATES AT 725 PSI AND IS RESISTANT TO OIL AND SEA WATER AT 500 METERS.

SOURCE DRAWING - FOR REFERENCE ONLY

RELATED DOCUMENTS		3RD ANGLE PROJECTION		THIS DRAWING IS PROPERTY OF TURCK INC. USE OF THIS DOCUMENT WITHOUT WRITTEN PERMISSION IS PROHIBITED.		 High Technology Sensors and Automation Controls		3000 CAMPUS DRIVE MINNEAPOLIS, MN 55441 1-800-544-7769 (763) 553-7300 (763) 553-0708 fax turck.com	
1. 2. 3. 4.				DRFT JBU DATE 03/08/02		DESCRIPTION		Bi 5-P18-AP6/S139-S90	
MATERIAL		ALL DIMENSIONS DISPLAYED ON THIS DRAWING ARE FOR REFERENCE ONLY		DSGN		SCALE 1=1.5		IDENTIFICATION NO.	
SEE NOTES		CONTACT TURCK FOR MORE INFORMATION		UNIT OF MEASUREMENT		M1660350		REV	
FINISH		INCH [ MILLIMETER ]		DO NOT SCALE THIS DRAWING		FILE: M1660350		B	
B DRAWING PROCESSED AS PART OF ECO 33971		CBM 04/06/11 33971		ECO NO.		SHEET 1 OF 1			