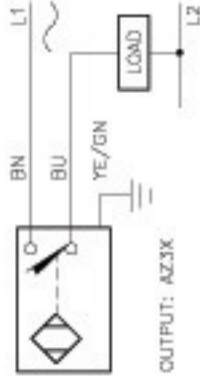
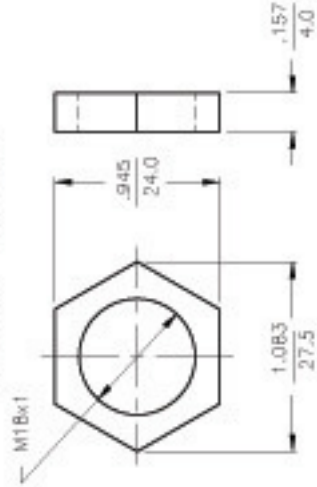


WIRING DIAGRAMS



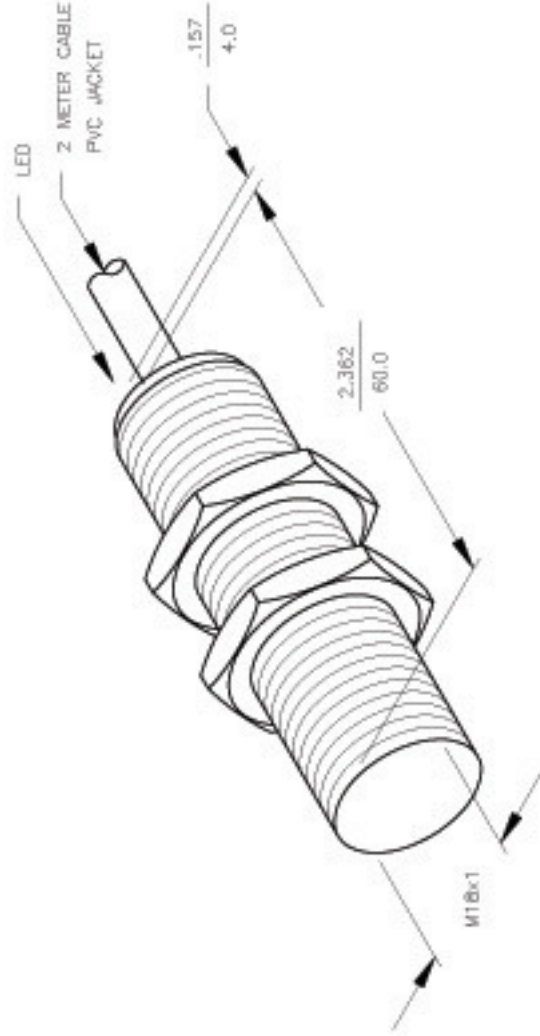
WARNING: NO SHORT-CIRCUIT PROTECTION
ALWAYS WIRE A LOAD IN SERIES WITH THE SENSOR.

LOCKNUT LN-M18



SPECIFICATIONS

OPERATING VOLTAGE	20-250 VAC/DC
LINE FREQUENCY	40-60 Hz
DIFFERENTIAL TRAVEL (HYSTERESIS)	3-15% (5% TYPICAL)
VOLTAGE DROP ACROSS CONDUCTING SENSOR	≤ 7.0 V at 500 mA
OUTPUT FUNCTION	-AZ
SHORT-CIRCUIT PROTECTED	NO
CONTINUOUS LOAD CURRENT	≤ 500 mA
OFF-STATE (LEAKAGE) CURRENT	≤ 1.7 mA
MINIMUM LOAD CURRENT	≥ 5.0 mA
INRUSH CURRENT	≤ 8.0 A (≤ 10 ms/5 Hz)
TIME DELAY BEFORE AVAILABILITY	≤ 25 ms
POWER-ON EFFECT PROTECTION	INCORPORATED
PROTECTION AGAINST TRANSIENTS	5 kV, 10 ms, 10 kΩ
OPERATING TEMPERATURE	-25°C to +70°C (-13°F to +158°F)
ENCLOSURE	MEETS NEMA 1, 3, 4, 6, 13 AND IEC IP67
SHOCK	30 g, 11 ms
VIBRATION	95 Hz, 1 mm AMPLITUDE (IN ALL 3 PLANES)
LED FUNCTION	RED; OUTPUT ENERGIZED
SENSING RANGE	5 mm ± .197" (NOMINAL)
SWITCHING FREQUENCY	20 Hz
REPEATABILITY	± 2% OF RATED OPERATING DISTANCE
EMBEDDABLE (SHIELDED)	YES



<p>TURCK INC High Technology Sensors and Automation Controls</p>		<p>DATE: 4/22/88 SCALE: NONE</p>		<p>DESCRIPTION: BIS-G18-AZ3X 60MM</p>	
<p>THIS DRAWING IS THE PROPERTY OF TURCK INC. USE OF THIS DOCUMENT WITHOUT WRITTEN PERMISSION IS PROHIBITED.</p>		<p>DRAWN: GMB CHECKED: USM</p>		<p>IDENTIFICATION NO.: T4330400</p>	
<p>3RD ANGLE PROJECTION</p>		<p>UNIT OF MEASUREMENT: INCH (MILLIMETER)</p>		<p>REV: E</p>	
<p>TOLERANCES UNLESS OTHERWISE SPECIFIED: X ±0.02 XX ±0.01 XXX ±0.005 ANGLES ±1° ALL DIMENSIONS ARE REFERENCE ONLY</p>		<p>00 NOT SCALE THIS DRAWING</p>		<p>FILE: T4330400</p>	
<p>RELATED DOCUMENTS</p>		<p>MATERIAL: BRASS BARREL</p>		<p>FINISH: COPPER, NICKEL, CHROME PLATING</p>	
<p>1. 2. 3. 4.</p>		<p>RWC 08/09/07 18320</p>		<p>DATE: EDO NO.</p>	
<p>E: UPDATE OPERATING VOLTAGE, SEE ECO</p>		<p>REV DESCRIPTION</p>		<p>SHEET 1 OF 1</p>	