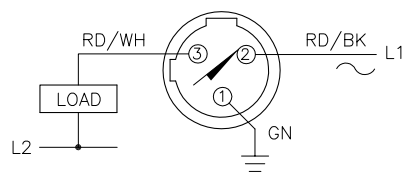


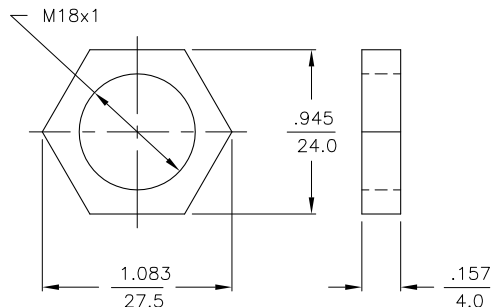
WIRING DIAGRAM



OUTPUT: ADZ30X2

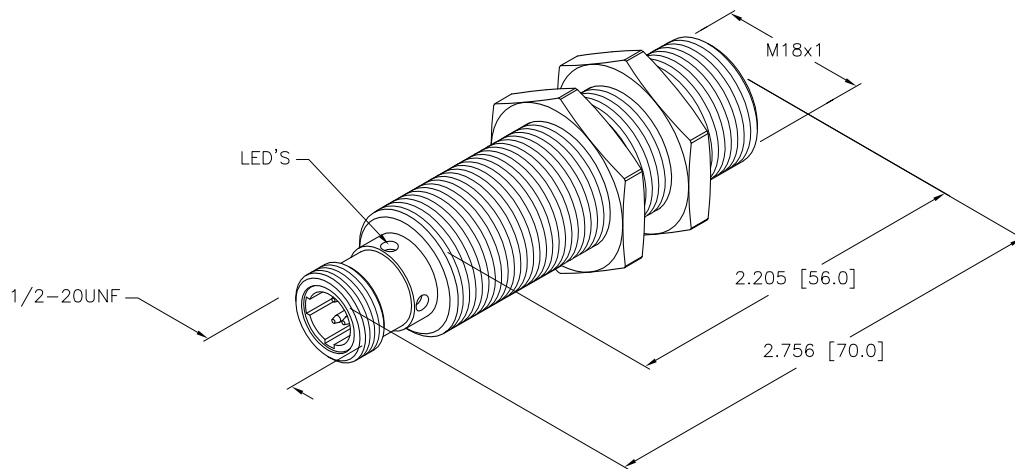
WARNING: NO-SHORT-CIRCUIT PROTECTION. ALWAYS WIRE A LOAD IN SERIES WITH THE SENSOR.

LOCKNUT LN-M18



SPECIFICATIONS

RATED OPERATING DISTANCE	5mm = .197"
MOUNTING MODE	FLUSH
TEMPERATURE DRIFT	≤±10%
HYSTERESIS	3-15%
MIN. REPEAT ACCURACY	≤2%
OPERATING TEMPERATURE	-25°C to +70°C (-13°F to +158°F)
RATED OPERATIONAL VOLTAGE (AC/DC)	20-250 VAC/10-300 VDC
MAX. RIPPLE	≤10%
RATED OPERATIONAL CURRENT (AC/DC)	≤400 mA AC/≤300 mA DC
FREQUENCY	50-60 Hz
RESIDUAL CURRENT	≤1.7 mA
RATED INSULATION VOLTAGE	≤1.5 kV
SURGE CURRENT	≤3.0 A (≤20 ms MAX. 5 Hz)
SHORT-CIRCUIT PROTECTION	YES, LATCHING
MAX. VOLTAGE DROP	≤6.0 V
WIRE BREAKAGE PROTECTION	INCORPORATED
REVERSE POLARITY PROTECTION	INCORPORATED
MAX. SWITCHING FREQUENCY	≤0.02 kHz
SMALLEST OPERATING CURRENT	≥3.0 mA
OUTPUT FUNCTION	3-WIRE, NORMALLY OPEN
HOUSING MATERIAL	BRASS, CHROME-PLATED
ACTIVE FACE MATERIAL	PLASTIC, PBT
CONNECTION	1/2-20UNF CONNECTOR
VIBRATION RESISTANCE	55 Hz (IN ALL 3 PLANES)
SHOCK RESISTANCE	30 g, 11 ms
DEGREE OF PROTECTION	IP67
SWITCHING STATUS INDICATION	LED, RED
OPERATING VOLTAGE INDICATION	LED, GREEN



SOURCE DRAWING - FOR REFERENCE ONLY

RELATED DOCUMENTS		3RD ANGLE PROJECTION		THIS DRAWING IS PROPERTY OF TURCK INC. USE OF THIS DOCUMENT WITHOUT WRITTEN PERMISSION IS PROHIBITED.		 3000 CAMPUS DRIVE MINNEAPOLIS, MN 55441 1-800-544-7769 (763) 553-7300 (763) 553-0708 fax turck.com	
1. 2. 3. 4.				DRFT IK	DATE 04/13/00	DESCRIPTION BI 5-G18-ADZ30X2-B3331	
MATERIAL SEE SPECS		ALL DIMENSIONS DISPLAYED ON THIS DRAWING ARE FOR REFERENCE ONLY		DSGN	SCALE 1=1.0	IDENTIFICATION NO. T4208092	
FINISH		CONTACT TURCK FOR MORE INFORMATION		UNIT OF MEASUREMENT INCH [MILLIMETER]		REV A	
A DRAWING RELEASE		RDS 05/03/11		DO NOT SCALE THIS DRAWING		FILE: T4208092	
REV DESCRIPTION		BY DATE ECO NO.				SHEET 1 OF 1	

A	DRAWING RELEASE	RDS	05/03/11	
REV	DESCRIPTION	BY	DATE	ECO NO.