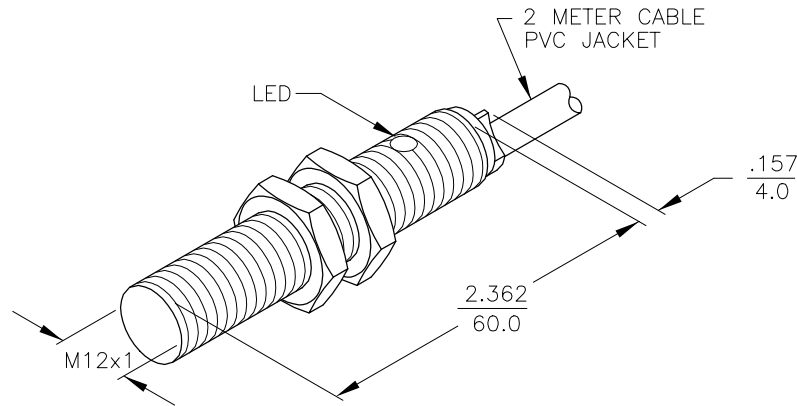


WARNING: NO SHORT-CIRCUIT PROTECTION.
ALWAYS WIRE A LOAD IN SERIES WITH THE SENSOR.

INRUSH CURRENT	≤1.0 A (≤10 ms/5 Hz)
TIME DELAY BEFORE AVAILABILITY	≤8 ms
POWER-ON EFFECT PROTECTION	INCORPORATED
PROTECTION AGAINST TRANSIENTS	5 kV, 10 ms, 10 kΩ
OPERATING TEMPERATURE	-25°C to +70°C (-13°F to +158°F)
ENCLOSURE	MEETS NEMA 1, 3, 4, 6, 13 AND IEC IP67
SHOCK	30 g, 11 ms
VIBRATION	55 Hz, 1 mm AMPLITUDE (IN ALL 3 PLANES)
LED FUNCTION	RED: OUTPUT ENERGIZED
SENSING RANGE	2 mm = .079" (NOMINAL)
SWITCHING FREQUENCY	20 Hz
REPEATABILITY	≤2% of RATED OPERATING DISTANCE
EMBEDDABLE (SHIELDED)	YES



SOURCE DRAWING - FOR REFERENCE ONLY

RELATED DOCUMENTS				3RD ANGLE PROJECTION		THIS DOCUMENT IS PROPERTY OF TURCK INC. USE OF THIS DOCUMENT WITHOUT WRITTEN PERMISSION IS PROHIBITED.		TURCK INC <i>High Technology Sensors and Automation Controls</i>		3000 CAMPUS DRIVE MINNEAPOLIS, MN 55441 1-800-544-7769 (763) 553-7300 (763) 553-0708 fax turck.com	
1. 2. 3. 4.						DRFT SWC DATE 08/02/94		DESCRIPTION Bi 2-G12-AZ33X			
MATERIAL BRASS BARREL				TOLERANCES UNLESS OTHERWISE SPECIFIED .X ±0.02 .XX ±0.01 .XXX ±0.005 ANGLES ±1°		DSGN SCALE 1=2.0		UNIT OF MEASUREMENT INCH [MILLIMETER]			
FINISH COPPER, NICKEL, CHROME PLATING				ALL MILLIMETER DIMENSIONS ARE REFERENCE ONLY		DO NOT SCALE THIS DRAWING		IDENTIFICATION NO. T1304002		REV C	
C CHANGE LOAD CURRENT FROM 100 mA TO 200 mA				IK 11/03/00 T4067		FILE: T1304002		SHEET 1 OF 1			
REV DESCRIPTION				BY DATE ECO NO.							