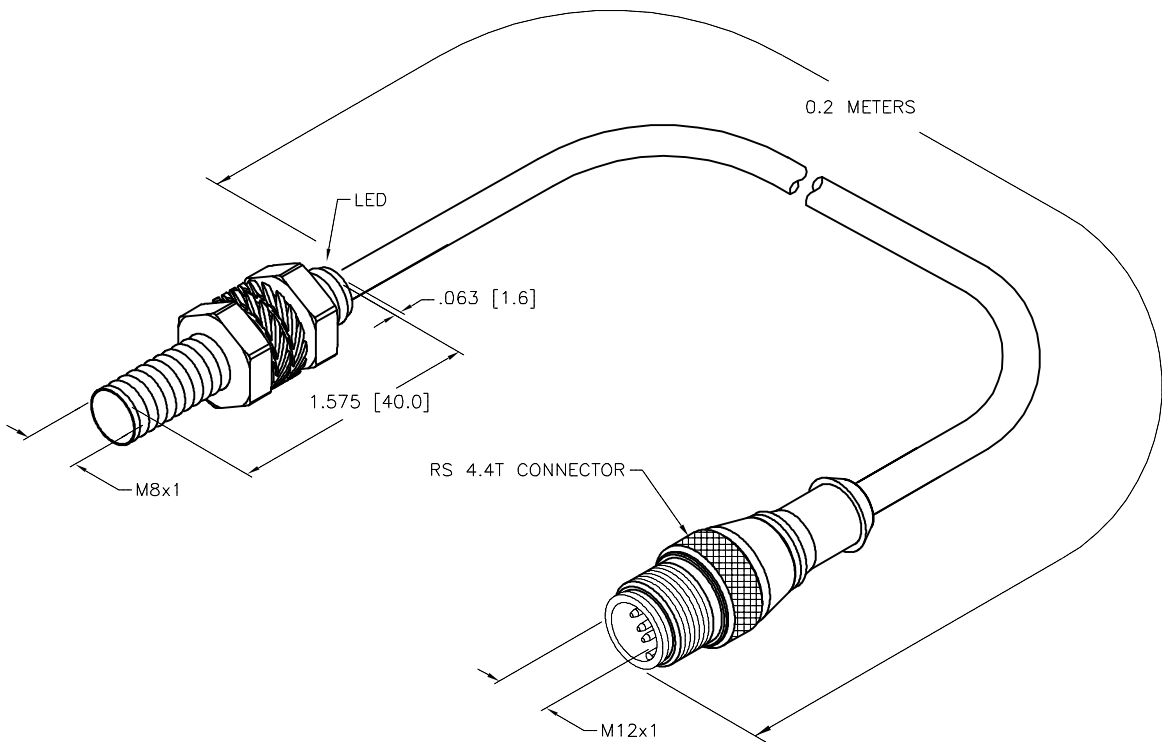


SPECIFICATIONS

|                                |   |
|--------------------------------|---|
| RATED OPERATING DISTANCE       | 2.0 mm = .079"                          |
| MOUNTING MODE                  | FLUSH                                   |
| MIN. REPEAT ACCURACY           | ≤ 2%                                    |
| TEMPERATURE DRIFT              | ≤ ± 10%                                 |
| HYSTERESIS                     | 3-15%                                   |
| OPERATING TEMPERATURE          | -25°C to +70°C (-13°F to +158°F)        |
| RATED OPERATIONAL VOLTAGE      | 10-30 VDC                               |
| RESIDUAL RIPPLE                | ≤ 10%                                   |
| RATED OPERATIONAL CURRENT (DC) | ≤ 150 mA                                |
| NO-LOAD CURRENT                | ≤ 15 mA                                 |
| RESIDUAL CURRENT               | ≤ 0.1 mA                                |
| RATED INSULATION VOLTAGE       | ≤ 0.5 kV                                |
| SHORT-CIRCUIT PROTECTED        | YES                                     |
| MAX VOLTAGE DROP               | ≤ 1.8 V                                 |
| WIRE BREAKAGE PROTECTION       | INCORPORATED                            |
| REVERSE POLARITY PROTECTION    | INCORPORATED                            |
| OUTPUT FUNCTION                | 4-WIRE, CHANGE OVER, PNP                |
| MAX. SWITCHING FREQUENCY       | ≤ 3.0 kHz                               |
| HOUSING MATERIAL               | METAL, A4 1.4404 (AISI 316L)            |
| ACTIVE FACE MATERIAL           | PLASTIC, PA12-GF20                      |
| END CAP MATERIAL               | PLASTIC, PP                             |
| CABLE                          | ∅4.0, TPU                               |
| SHOCK RESISTANCE               | 30 g, 11 ms                             |
| VIBRATION RESISTANCE           | 55 Hz, 1 mm AMPLITUDE (IN ALL 3 PLANES) |
| DEGREE OF PROTECTION           | IP67                                    |
| SWITCHING STATUS INDICATION    | LED: YELLOW                             |



SOURCE DRAWING - FOR REFERENCE ONLY

|                                    |  |                           |   |  |     |  |          |
|------------------------------------|--|---------------------------|---|--|-----|--|----------|
| RELATED DOCUMENTS                  |  | 3RD ANGLE PROJECTION      |   | THIS DRAWING IS CONFIDENTIAL AND THE PROPERTY OF TURCK INC. USE OF THIS DOCUMENT WITHOUT WRITTEN PERMISSION IS PROHIBITED. |     | <b>TURCK INC</b><br>High Technology Sensors and Automation Controls<br>3000 CAMPUS DRIVE<br>MINNEAPOLIS, MN 55441<br>1-800-544-7769<br>(763) 553-7300<br>(763) 553-0708 fax<br>turck.com |          |
| 1.                                 |  |                           | ALL DIMENSIONS DISPLAYED ON THIS DRAWING ARE FOR REFERENCE ONLY | DRFT   | RWC | DATE   | 01/21/10 |
| 2.                                 |  |                           |   | DSGN   |     | SCALE  | 1=1.0    |
| 3.                                 |  |                           |   | UNIT OF MEASUREMENT  |     | DESCRIPTION  |          |
| 4.                                 |  |                           |   | INCH [ MILLIMETER ]  |     | BI 2-EG08-VP6X-0.2M-RS 4.4T  |          |
| MATERIAL                           |  | SEE SPECS                 |   | IDENTIFICATION NO.   |     | REV  |          |
| FINISH                             |  | SEE SPECS                 |   | S1604680   |     | C  |          |
| CONTACT TURCK FOR MORE INFORMATION |  | DO NOT SCALE THIS DRAWING |   | FILE: S1604680   |     | SHEET 1 OF 1   |          |

|     |  |     |          |         |
|-----|--|-----|----------|---------|
| C   | DRAWING PROCESSED AS PART OF ECO 33971 | CBM | 04/06/11 | 33971   |
| REV | DESCRIPTION                            | BY  | DATE     | ECO NO. |