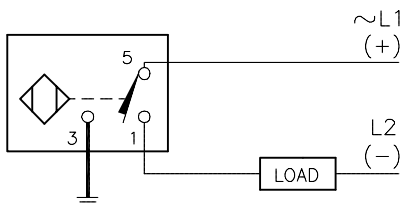
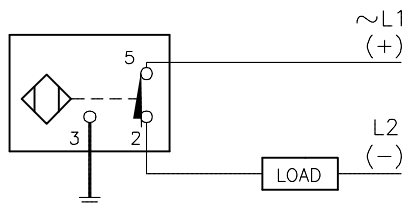


WIRING DIAGRAM

NORMALLY OPEN



NORMALLY CLOSED



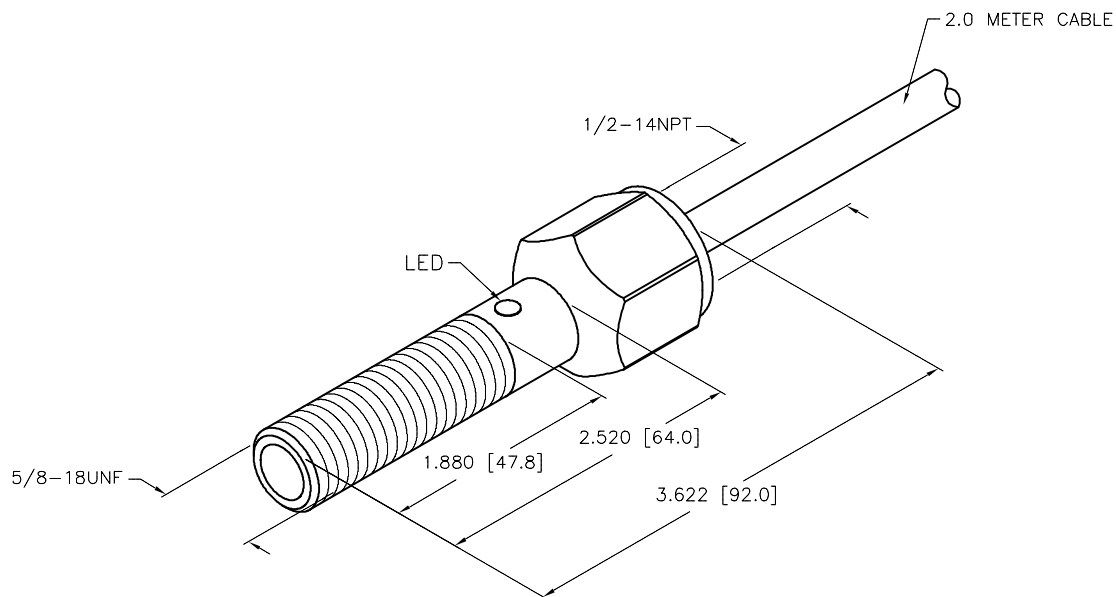
PIN 3 **MUST** BE CONNECTED TO GROUND OR NEUTRAL

PIN 3 **MUST** BE CONNECTED TO GROUND OR NEUTRAL

SHORT-CIRCUIT AND OVERLOAD PROTECTED

SPECIFICATIONS

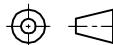
RATED OPERATING DISTANCE	2.5 mm [.098"]
HYSTERESIS	3-15% (5% TYPICAL)
MIN. REPEAT ACCURACY	≤ 2%
MAX. TEMPERATURE DRIFT	≤ ±10% C°
OPERATING TEMPERATURE	-40°C to +70°C (-40°F to +158°F)
OPERATING VOLTAGE	20-250 VAC
RATED OPERATIONAL VOLTAGE	10-300 VDC
RATED OPERATIONAL CURRENT (AC)	≤ 100 mA
RATED OPERATIONAL CURRENT (DC)	≤ 100 mA
LINE FREQUENCY	50-60 Hz
RESIDUAL CURRENT	≤ 1.7 mA
MAX. SWITCHING FREQUENCY	≤ 0.06 kHz
RATED INSULATION VOLTAGE	≤ 1.5 kV
OUTPUT FUNCTION	2-WIRE, CONNECTION PROGRAMMABLE
SHORT-CIRCUIT PROTECTED	YES
MAX. VOLTAGE DROP	≤ 6 V
WIRE-BREAK PROTECTION	INCORPORATED
REVERSE POLARITY PROTECTION	INCORPORATED
MIN. OPERATIONAL CURRENT	3 mA
DEGREE OF PROTECTION	IP 67
HOUSING MATERIAL	METAL, A4 1.4401 (AISI 316)
ACTIVE FACE	PLASTIC, PA12-GF30
CABLE	∅7.2, 18 AWG, PVC
VIBRATION RESISTANCE	55 Hz, 1 mm AMPLITUDE (IN ALL 3 PLANES)
SHOCK RESISTANCE	30 g, 11 ms
SUPPLY VOLTAGE INDICATION	LED, GREEN
SWITCHING STATUS INDICATION	LED, RED
MOUNTING MODE	FLUSH



RELATED DOCUMENTS

- 1.
- 2.
- 3.
- 4.

3RD ANGLE PROJECTION



THIS DRAWING IS CONFIDENTIAL AND THE PROPERTY OF TURCK INC. USE OF THIS DOCUMENT WITHOUT WRITTEN PERMISSION IS PROHIBITED.

TURCK INC
High Technology Sensors and Automation Controls

3000 CAMPUS DRIVE
MINNEAPOLIS, MN 55441
1-800-544-7769
(763) 553-7300
(763) 553-0708 fax
turck.com

MATERIAL

FINISH

ALL DIMENSIONS DISPLAYED ON THIS DRAWING ARE FOR REFERENCE ONLY

CONTACT TURCK FOR MORE INFORMATION

DRFT RDS DATE 10/27/04
DSGN SCALE NONE

UNIT OF MEASUREMENT
INCH [MILLIMETER]

DO NOT SCALE THIS DRAWING

DESCRIPTION

BI 2.5-EG16CA-FDZ32X2

IDENTIFICATION NO.

T4205100-1

REV

B

B	UPDATE WIRING DIAGRAM	CK	05/31/11	35270
REV	DESCRIPTION	BY	DATE	ECO NO.

FILE: T4205100-1

SHEET 1 OF 1