






Q14 and Q20



Rectangular Sensors, Plastic
Plastic Housing with Potted-In Cable or Straight Connector

3-Wire DC   
10-30 VDC, Short-Circuit and Overload Protected
Normally Open, NPN (Sinking) or PNP (Sourcing)

Sensor Selection

Part Number	Embeddable	Rated Operating Distance (mm)	Housing Height (mm)	NPN (Sinking)	PNP (Sourcing)	Drawing #	Wiring Diagram	# of LEDs	Weld Field Immune	Switching Frequency (Hz)	ID Number	Connection	
Bi10U-Q14-AN6X2 *	•	10	14	•		2	A	2	•	250	M1608710	2 meter cable, PVC jacket; 22 AWG copper conductors, PVC insulated.	
Bi10 -Q14-AN6X2	•	10	14	•		2	A	2		500	M1608320		
Bi15U-Q20-AN6X2 *	•	15	20	•		4	A	2	•	250	M1608810		
Bi15 -Q20-AN6X2	•	15	20	•		4	A	2		500	M1608310		
Bi10U-Q14-AP6X2 *	•	10	14		•	2	B	2	•	250	M1608700		
Bi10 -Q14-AP6X2	•	10	14		•	2	B	2		500	M1608720		
Ni20 -Q14-AP6X2 ★		20	14		•	2	B	2		500	M4690205		
Bi15U-Q20-AP6X2 *	•	15	20		•	4	B	2	•	250	M1608800		
Bi15 -Q20-AP6X2	•	15	20		•	4	B	2		500	M1608300		
Ni25 -Q20-AP6X2 ★		25	20		•	4	B	2		500	M1602700		
Bi10U-Q14-AN6X2-V1131 *	•	10	14	•		3	C	2	•	250	M1608510		 picofast Mating Cordsets PKG 3Z-2 (2 meter) For other styles see "Cordsets" catalog.
Bi10U-Q14-AP6X2-V1131 *	•	10	14		•	3	D	2	•	250	M1608500		
Bi10 -Q14-AP6X2-V1131	•	10	14		•	3	D	2		500	M1608530		
Ni20 -Q14-AP6X2-V1131 ★		20	14		•	3	D	2		500	M4690210		
Bi10U-Q14-AN6X2-0.2M-RS 4T*	•	10	14	•		1	E	2	•	250	M1608791	 eurofast Mating Cordsets RK 4T-2 (2 meter) For other styles see "Cordsets" catalog.	
Bi15 -Q20-AN6X2-H1141	•	15	20	•		5	E	2		500	M1608315		
Bi15U-Q20-AN6X2-H1141 *	•	15	20	•		5	E	2	•	250	M1608610		
Bi10U-Q14-AP6X2-0.2M-RS 4T*	•	10	14		•	1	F	2	•	250	M1608790		
Bi15 -Q20-AP6X2-H1141	•	15	20		•	5	F	2		500	M1608305		
Bi15U-Q20-AP6X2-H1141 *	•	15	20		•	5	F	2	•	250	M1608600		
Ni25 -Q20-AP6X2-H1141 ★		25	20		•	5	F	2		500	M1602702		

* Uprox® technology

Material

Housing: PBT-GF30 Plastic
Connector: Chrome Plated Brass

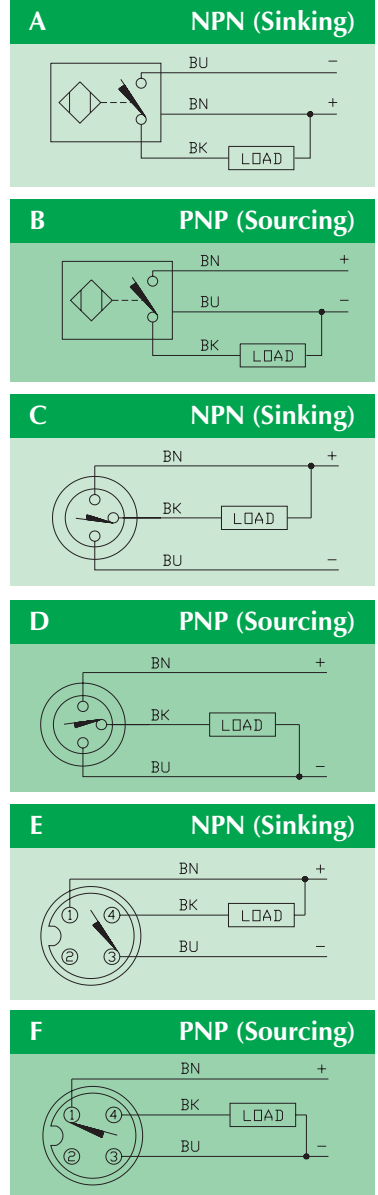
Accessories

Accessories and mounting devices can be found on pages 51 and 52.

Specifications

Ripple	≤10%
Differential Travel (Hysteresis)	3-15% (5% typical)
Voltage Drop Across Conducting Sensor	≤1.8 V at 200 mA
Trigger Current for Overload Protection	≥220 mA
Continuous Load Current	≤200 mA
Off-State (Leakage) Current	<10 μA
No-Load Current	≤5 mA
Time Delay Before Availability	3 ms
Power-On Effect	Per IEC 947-5-2
Reverse Polarity Protection	Incorporated
Wire-Break Protection	Incorporated
Transient Protection	Per EN 60947-5-2
Operating Temperature (10% temp.drift)	-25°C to +70°C (-13°F to +158°F)
Operating Temperature (15% temp.drift)	Uprox: -30°C to +85°C (-22°F to +185°F)
Enclosure	Meets NEMA 1,3,4,6,13 and IEC IP 67
Shock	30 g, 11 ms
Vibration	55 Hz, 1 mm Amplitude in all 3 Planes
Repeatability	±2% of Rated Operating Distance
LED On (Green)	Power On
LED On (Yellow)	Output Energized

Wiring Diagrams



Dimensions

