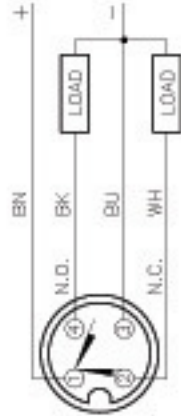
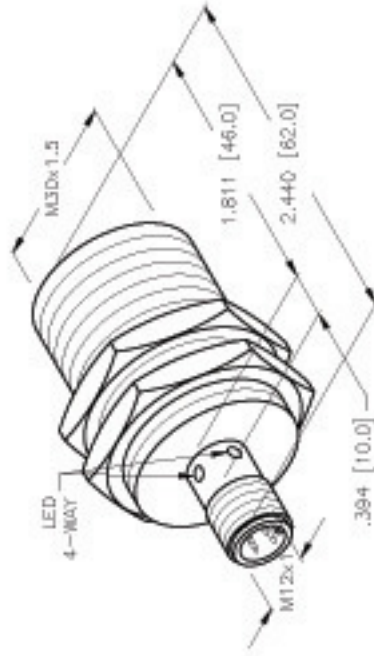
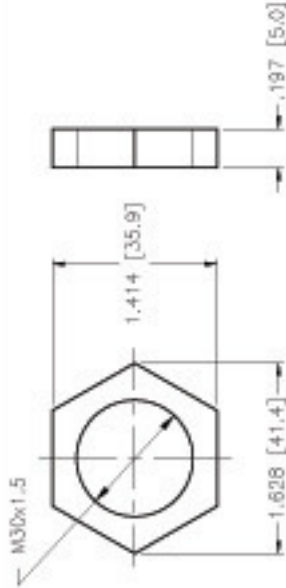


WIRING DIAGRAM



OUTPUT: VP4X

LOCKNUT LN-M30



SPECIFICATIONS

|                                         |                                                   |
|-----------------------------------------|---------------------------------------------------|
| OPERATING VOLTAGE                       | 10-65 VDC                                         |
| RIPPLE                                  | ≤10%                                              |
| HYSTERESIS (DIFFERENTIAL TRAVEL)        | 3-15% (5% TYPICAL)                                |
| VOLTAGE DROP ACROSS CONDUCTING SENSOR   | ≤1.8 V at 200 mA                                  |
| OUTPUT FUNCTION                         | COMPLEMENTARY OUTPUT<br>ONE N.O., ONE N.C. (SPDT) |
| TTL COMPATIBLE                          | NO                                                |
| SHORT-CIRCUIT PROTECTED                 | YES                                               |
| TRIGGER CURRENT FOR OVERLOAD PROTECTION | ≥220 mA                                           |
| CONTINUOUS LOAD CURRENT                 | ≤200 mA                                           |
| OFF-STATE (LEAKAGE) CURRENT             | ≤ 10 μA                                           |
| NO-LOAD CURRENT                         | 4.0-9.5 mA                                        |
| TIME DELAY BEFORE AVAILABILITY          | ≤8 ms                                             |
| POWER-ON EFFECT                         | Per IEC 947-5-2                                   |
| REVERSE POLARITY PROTECTION             | INCORPORATED                                      |
| WIRE-BREAK PROTECTION                   | INCORPORATED                                      |
| TRANSIENT PROTECTION                    | Per EN 60947-5-2                                  |
| OPERATING TEMPERATURE                   | -25°C to +75°C (-13°F to +158°F)                  |
| ENCLOSURE                               | MEETS NEMA 1, 3, 4, 6, 13 AND EC P67              |
| SHOCK                                   | 30 g, 11 ms                                       |
| VIBRATION                               | 95 Hz, 1 mm AMPLITUDE<br>(IN ALL 3 PLANES)        |
| LED FUNCTION                            | YELLOW: OUTPUT ENERGIZED                          |
| RATED OPERATING DISTANCE(S)             | 10 mm = .394" (NOMINAL)                           |
| SWITCHING FREQUENCY                     | 500 Hz                                            |
| REPEATABILITY                           | ±2% of RATED OPERATING DISTANCE                   |
| SHIELDED                                | YES                                               |

SOURCE DRAWING - FOR REFERENCE ONLY

|                                                                                                          |  |                                                                                         |  |
|----------------------------------------------------------------------------------------------------------|--|-----------------------------------------------------------------------------------------|--|
| <p><b>TURCK INC</b><br/>High Technology Sensors and Automation Controls</p>                              |  | DESCRIPTION<br>B110-M30-VP4X-H1141                                                      |  |
| THIS DRAWING IS THE PROPERTY OF TURCK. NO USE OF THIS DOCUMENT WITHOUT WRITTEN PERMISSION IS PROHIBITED. |  | DATE: 01/25/99<br>SCALE: 1 = 1.5                                                        |  |
| 3RD ANGLE PREDOMINATION                                                                                  |  | UNIT OF MEASUREMENT<br><b>INCH (MILLIMETER)</b>                                         |  |
| RELATED DOCUMENTS<br>1. _____<br>2. _____<br>3. _____<br>4. _____                                        |  | IDENTIFICATION NO.<br>T1561600                                                          |  |
| MATERIAL<br>BRASS BARREL                                                                                 |  | FILE: T1561600                                                                          |  |
| FINISH<br>COPPER/NICKEL/<br>CHROME PLATING                                                               |  | SHEET 1 OF 1                                                                            |  |
| NOTE: ALL TOLERANCES ±1.0 mm.                                                                            |  | REV DESCRIPTION<br>B MODIFY DRAWING, NEW FORMAT<br>IK 03/09/00 T34JB<br>BF DATE EDD NO. |  |