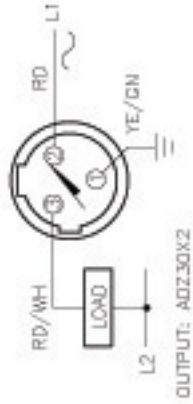
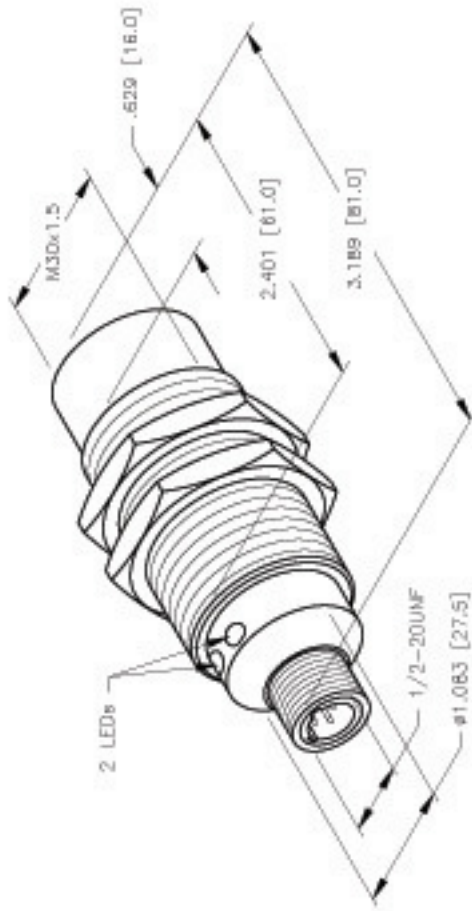
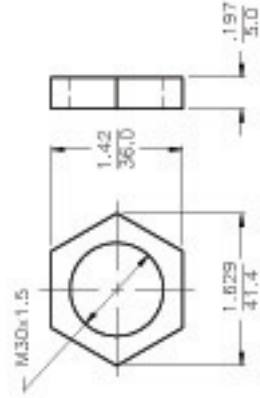


WIRING DIAGRAM



SHORT-CIRCUIT AND OVERLOAD PROTECTED

LOCKNUT LN-M30



SPECIFICATIONS

OPERATING VOLTAGE	20-250 VAC / 10-300 VDC
LINE FREQUENCY	40-60 Hz
HYSTERESIS (DIFFERENTIAL TRAVEL)	3-15% (5% TYPICAL)
VOLTAGE DROP ACROSS CONDUCTING SENSOR	≤ 6.0 V at 400 mA
OUTPUT FUNCTION	NORMALLY OPEN 2-WIRE AC/DC SELF-CONTAINED
SHORT-CIRCUIT PROTECTED	YES
TRIGGER CURRENT FOR OVERLOAD PROTECTION	≥ 440 mA
CONTINUOUS LOAD CURRENT	400 mA AC / 300 mA DC
LEAKAGE (OFF-STATE) CURRENT	≤ 1.7 mA
MINIMUM LOAD CURRENT	≥ 3.0 mA
INRUSH CURRENT	≤ 4.0 A (≤20 ms/5 Hz)
TIME DELAY BEFORE AVAILABILITY	≤ 120 ms
POWER-ON EFFECT PROTECTION	PER IEC 947-5-2
PROTECTION AGAINST TRANSIENTS	PER EN 60947-5-2
OPERATING TEMPERATURE	-25°C to +70°C (-13°F to +158°F)
ENCLOSURE	MEETS NEMA 1, 3, 4, 6, 13 AND IEC IP67
SHOCK	30 g, 11 ms
VIBRATION	55 Hz, 1 mm AMPITUDE (IN ALL 3 PLANES)
LED FUNCTION	GREEN = POWER ON FLASHING GREEN = SHORT-CIRCUIT WARNING RED = OUTPUT ENERGIZED
SENSING RANGE	20 mm - .787" (NOMINAL)
SWITCHING FREQUENCY	60 Hz
REPEATABILITY	± 2% OF RATED OPERATING DISTANCE
SHIELDED	NO
MATING PLUGS/CABLES	3-PIN "MICROFAST" CONSTRUCTION

SOURCE DRAWING - FOR REFERENCE ONLY

RELATED DOCUMENTS	3RD ANGLE PROJECTION		THIS DRAWING IS PROPERTY OF TURCK INC. USE OF THIS DOCUMENT WITHOUT WRITTEN PERMISSION IS PROHIBITED.	TURCK INC High Technology Sensors and Automation Controls	DATE: 11/08/00 DESCRIPTION: NI2D-G30-ADZ30X2-B3131	IDENTIFICATION NO.: T4205406 REV: A	SHEET 1 OF 1
1. UNIVERSAL BRASS BARREL FINISH COPPER, NICKEL, CHROME PLATING	UNIT OF MEASUREMENT <b>INCH (MILLIMETER)</b> 00 NOT SCALE THIS DRAWING	SCALE: NONE	FILE: T4205406	FILE: T4205406	FILE: T4205406	FILE: T4205406	FILE: T4205406

1. ALL DIMENSIONAL TOLERANCES: ±1.0mm

REV	DESCRIPTION	DATE	EDD NO.
A	DRAWING RELEASE	03/29/01	