

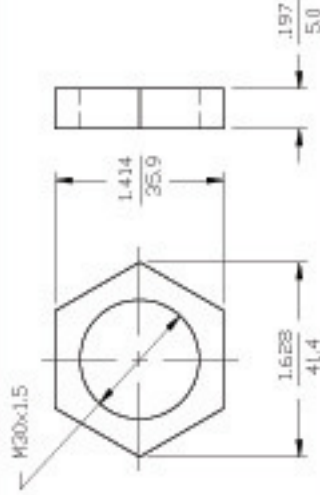
**WIRING DIAGRAMS**



OUTPUT: AZ3X

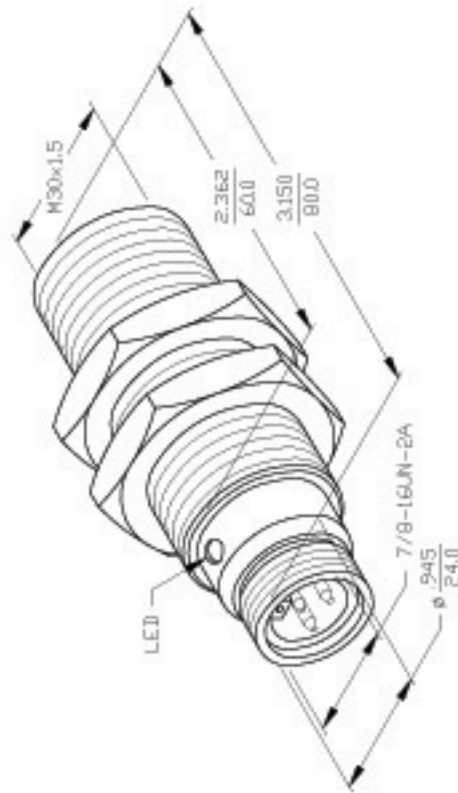
**WARNING: NO SHORT-CIRCUIT PROTECTION**  
ALWAYS WIRE A LOAD IN SERIES WITH THE SENSOR.

**LOCKNUT LN-M30**



**SPECIFICATIONS**

OPERATING VOLTAGE	20-250 VAC
LINE FREQUENCY	40-60 HZ
DIFFERENTIAL TRAVEL (HYSTERESIS)	3-15% (5% TYPICAL)
VOLTAGE DROP ACROSS CONDUCTING SENSOR	≤ 7.0 V @ I 500 mA
OUTPUT FUNCTION -AZ	NORMALLY OPEN 2-WIRE AC SELF-CONTAINED
SHORT-CIRCUIT PROTECTED	NO
CONTINUOUS LOAD CURRENT	≤ 500 mA
OFF-STATE (LEAKAGE) CURRENT	≤ 17 mA
MINIMUM LOAD CURRENT	≥ 3.0 mA
INRUSH CURRENT	≤ 8.0 A @ 10 ms/5 Hz
TIME DELAY BEFORE AVAILABILITY	≤ 25 ms
POWER-ON EFFECT PROTECTION	INCORPORATED
PROTECTION AGAINST TRANSIENTS	5 kV, 10 ns, 10 kA
OPERATING TEMPERATURE	-25°C to +70°C (-13°F to +158°F)
ENCLOSURE	MEETS NEMA 1, 3, 4, 6, 13 AND IEC IP67
SHOCK	30 g, 11 ms
VIBRATION	55 Hz, 1 mm AMPLITUDE (ON ALL 3 PLANES)
LED FUNCTION	RED, OUTPUT ENERGIZED
SENSING RANGE	10 mm = .394" (NOMINAL)
SWITCHING FREQUENCY	20 Hz
REPEATABILITY	± 2% OF RATED OPERATING DISTANCE
EMBEDDABLE (SHIELDED)	YES
MATING PLUGS/CABLES	3-PIN "MINI" CONSTRUCTION



MATERIAL	BRASS BARREL	3RD ANGLE PROJECTION		<b>TURKLOCK BRAND</b>
FINISH	COPPER, NICKEL, CHROME PLATING			
DRAFT	SMW	DATE	3/3/87	PART NO./DESCR.
OSDN		YR		B110-G30-AZ3X-B1131
		DIVISION UNITS	INCHES	SIZE
		[MILLIMETERS]		B
				ID NO.
				4372200
				REV
				B
				SCALE
				NONE
				BMGD-A\4372200
				SHEET
				OF

NOTES: 1. PROTECTIVE TEFLON CAP AVAILABLE FOR SENSING HEAD.  
TURK PART NO. CAP-30-PTFE.

B	SEE REVISION DOCUMENT 4372200	SVC	12/28/93	ECD NO.
REV	DESCRIPTION	DRAFT	DATE	
				REVISIONS