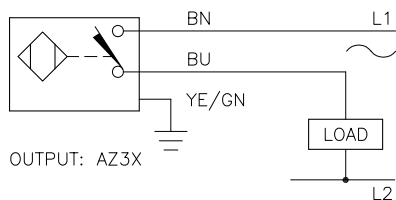
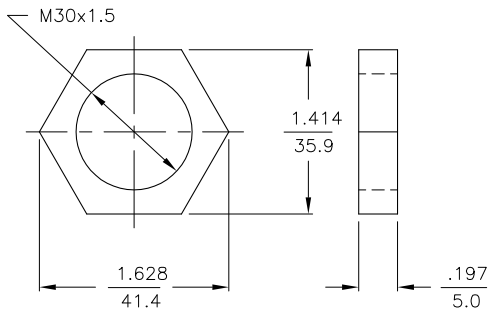


WIRING DIAGRAMS



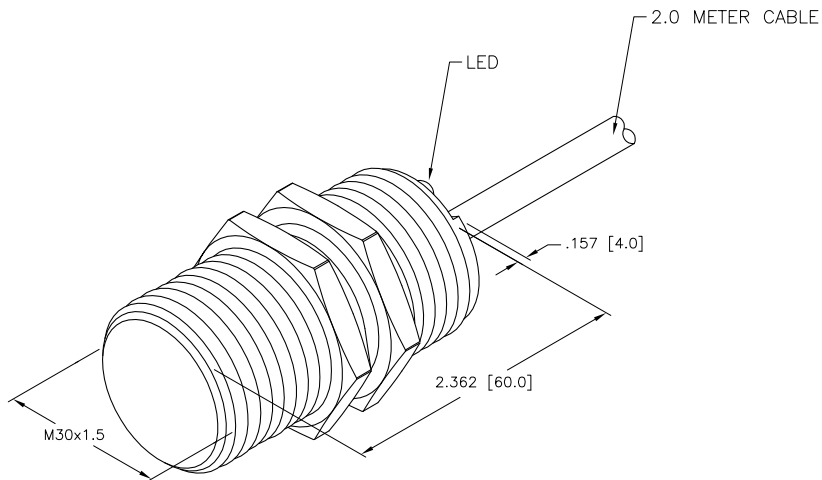
WARNING: NO SHORT-CIRCUIT PROTECTION.
ALWAYS WIRE A LOAD IN SERIES WITH THE SENSOR.

LOCKNUT LN-M30



SPECIFICATIONS

| | |
|-------------------------------------|----------------------------------|
| RATED OPERATING DISTANCE | 10 mm = .394" (NOMINAL) |
| MOUNTING MODE | FLUSH |
| TEMPERATURE DRIFT | ≤±10% |
| HYSTERESIS | 3-15% |
| MIN. REPEAT ACCURACY | ≤2% |
| OPERATING TEMPERATURE | -25°C to +70°C (+13°F to +158°F) |
| RATED OPERATIONAL VOLTAGE (VAC/VDC) | 20-250 VAC/10-300 VDC |
| RESIDUAL RIPPLE | ≤10% |
| RATED OPERATIONAL CURRENT | ≤400 mA (AC)/≤300 mA (DC) |
| MAINS FREQUENCY | 50-60 Hz |
| RESIDUAL CURRENT | ≤1.7 mA |
| RATED INSULATION VOLTAGE | ≤1.5 kV |
| SURGE CURRENT | ≤8.0 A (≤10 ms MAX. 5 Hz) |
| MAX. VOLTAGE DROP | ≤6.0 V |
| OUTPUT FUNCTION | 2-WIRE, NORMALLY OPEN |
| SMALLEST OPERATING CURRENT | ≥3.0 mA |
| MAX. SWITCHING FREQUENCY | ≤0.02 kHz |
| HOUSING MATERIAL | METAL, BRASS, CHROME-PLATED |
| ACTIVE FACE | PLASTIC, PA12-GF20 |
| END CAP | PLASTIC, TROGAMID T |
| CABLE | ø5.2, PVC |
| VIBRATION RESISTANCE | 55 Hz (IN ALL 3 PLANES) |
| SHOCK RESISTANCE | 30 g, 11 ms |
| DEGREE OF PROTECTION | IP67 |



| | | | | | |
|---|---|--|--------------------------------|--|----------|
| RELATED DOCUMENTS 1. 2. 3. 4. | 3RD ANGLE PROJECTION | THIS DRAWING IS CONFIDENTIAL AND THE PROPERTY OF TURCK INC. USE OF THIS DOCUMENT WITHOUT WRITTEN PERMISSION IS PROHIBITED. | | TURCK INC High Technology Sensors and Automation Controls 3000 CAMPUS DRIVE MINNEAPOLIS, MN 55441 1-800-544-7769 (763) 553-7300 (763) 553-0708 fax turck.com | |
| | MATERIAL SEE SPECIFICATIONS | DRFT GMB DATE 7/11/88 | DESCRIPTION Bi10-G30-AZ3X | | |
| FINISH SEE SPECIFICATIONS | ALL DIMENSIONS DISPLAYED ON THIS DRAWING ARE FOR REFERENCE ONLY | DSGN SCALE 1=1.3 | IDENTIFICATION NO. T4345400 | | REV D |
| CONTACT TURCK FOR MORE INFORMATION | | UNIT OF MEASUREMENT INCH [MILLIMETER] | | FILE: T4345400 | |
| DO NOT SCALE THIS DRAWING | | SHEET 1 OF 1 | | | |

| | | | | |
|-----|-----------------------------------|-----|----------|---------|
| D | UPDATE OPERATING VOLTAGE, SEE ECO | RWC | 08/09/07 | 18320 |
| REV | DESCRIPTION | BY | DATE | ECO NO. |