



Sign & Wall Wash Flood

PFMXW64LED 64 Watt LED Sign & Wall Wash Flood



SPECIFICATIONS:

Lumens: 7384
Watts: 61.02
Lumens/Watt: 121.01
CRI: 84
CCT: 4631
Lifespan: 200,000+ hrs.¹



Alpha Series LED
PROFESSIONAL GRADE



PFMXW64LED
Design is Protected
by US Patent D710,530

Construction:

Designed for commercial and industrial applications, providing cooler operating temperatures, brighter light and longer LED life. Apertures for field or factory installed photocontrol. Heavy duty knuckle with 90° adjustment.

Extra Wide Distribution Pattern:

Designed to provide maximum light spread for short set backs when lighting signs and washing walls.

Thermal Management:

Atlas Sign & Wall Wash Flood fixtures are designed as a complete system to optimize LED life and light output. The Patent Pending thermal stacking heat removal technology extracts heat from within the housing moving it away from LEDs and components. The lower temperatures result in long LED life (200,000+ hrs) and component life and also allows for higher light output.

Listings:

Luminaire is certified to cUL and CSA Standards for Wet Locations
Lighting Facts Certified
DesignLights Consortium qualified luminaire, eligible for rebates from DLC member utilities.

AC Input:

120/208/240/277 V

Driver:

Constant current, Class 2, 120-277 VAC, 50-60 Hz
High Efficiency – min. 84%
Off-State Power: 0 Watts
0-10 V Dimming

LEDs:

4500K CCT
Epoxy Guard™ protective conformal coated boards

Atlas LEDs provide higher lumen output, greater energy efficiency and more reliable fixture performance.

Testing:

Atlas LED luminaires have been tested by an independent laboratory in accordance with IESNA LM-79 & LM-80, and have received the Department of Energy "Lighting Facts" label.

Warranty:

Five-year limited warranty

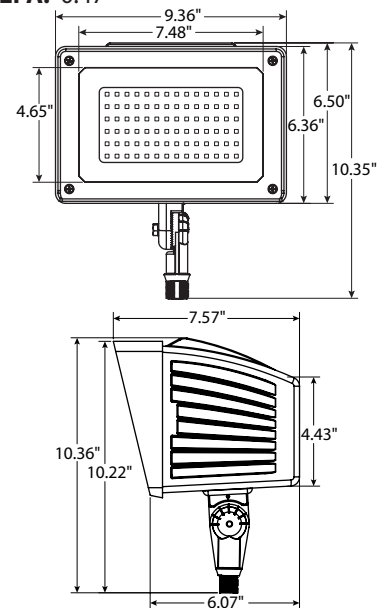
Photo Control:

For factory installed 120V button photo control add suffix PC to part number.

DIMENSIONS:

Weight: 10 lbs.

EPA: 0.47



¹LED Life Span Based Upon LM-80 Test Results

**Rebates and Incentives are available in many areas.
Contact an Atlas Representative for more information.**

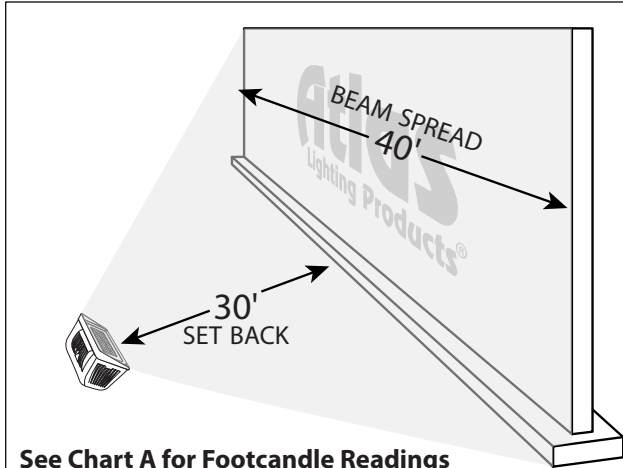
ATLAS LIGHTING PRODUCTS, INC.

PO BOX 2348 | BURLINGTON, NC 27216

800-849-8485 | FAX: 336-227-0110 | www.atlasled.com

Made in the USA of US and imported parts. Meets Buy American requirements within the ARRA.

PHOTOMETRIC



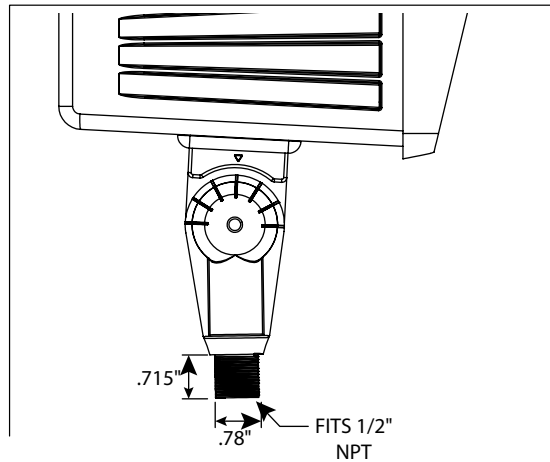
See Chart A for Footcandle Readings

FOOTCANDLE READINGS (CHART A)				
0'	5'	10'	15'	20'
6.0	5.5	4.5	3.3	2.3

ENERGY SAVINGS

LED		HID			ANNUAL SAVINGS
WATTAGE	ANNUAL COST	SOURCE WATTAGE	TOTAL WATTAGE USED	ANNUAL COST	
64	\$28	200	232	\$128	\$100
64	\$28	250	285	\$150	\$122
64	\$28	400	458	\$226	\$198

MOUNTING DETAIL



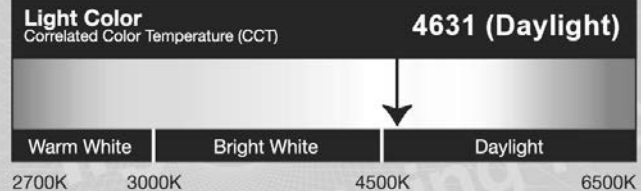
LED lighting facts®

A Program of the U.S. DOE

Atlas Lighting Products, Inc.

Light Output (Lumens) **7384**
Watts **61.02**
Lumens per Watt (Efficacy) **121.01**

Color Accuracy **84**
Color Rendering Index (CRI)



All results are according to IESNA LM-79-2008: *Approved Method for the Electrical and Photometric Testing of Solid-State Lighting*. The U.S. Department of Energy (DOE) verifies product test data and results.

Visit www.lightingfacts.com for the *Label Reference Guide*.

Registration Number: PRB4-CD1EGJ (9/15/2016)

Model Number: PFMXW64LED

Type: Luminaire - Area/Roadway